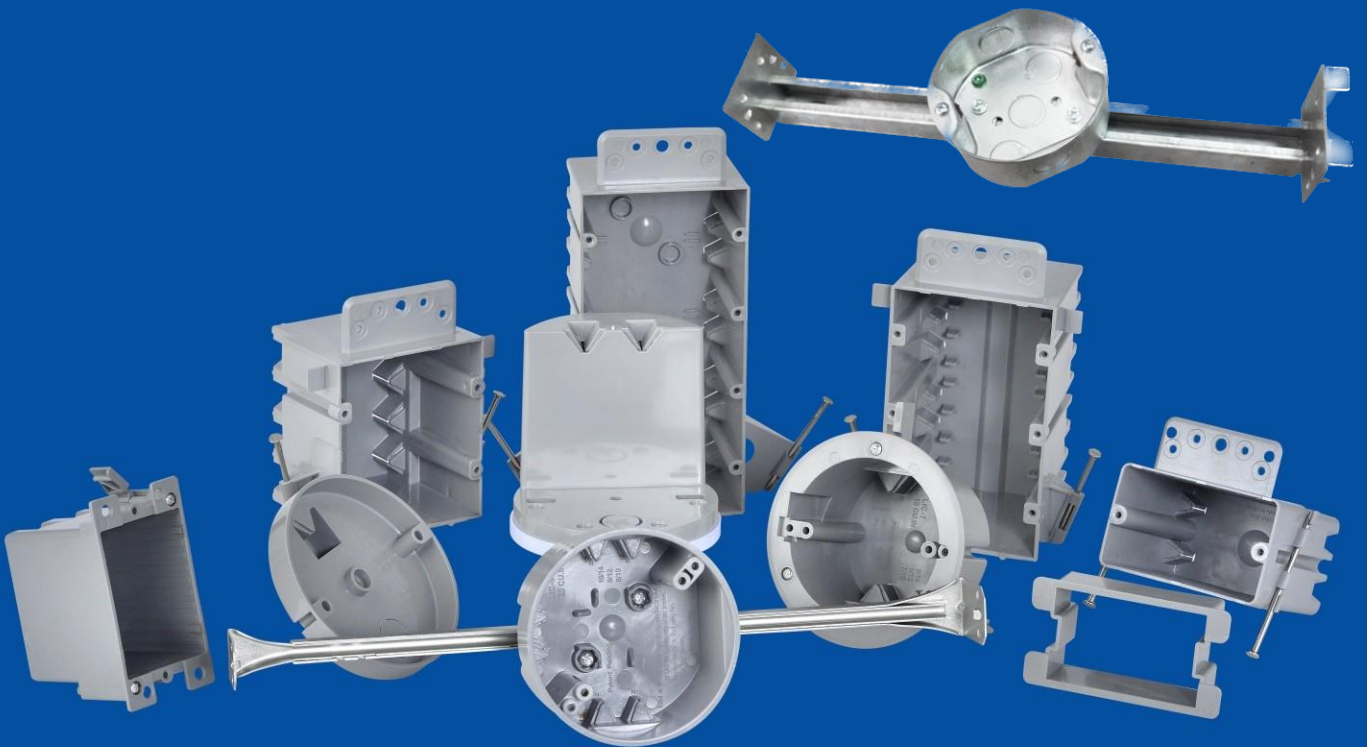




## ***Non-Metallic Outlet Boxes and Metal Fan Box***



**A Complete Line of Residential Non-Metallic Electrical Outlet Boxes  
Designed and Manufactured by Professionals for the Professional Electrical Contractor**

**Manufacturer installation instructions must be followed**



UL Listed to UL 514C  
UL Classified for 2 Hour Fire Resistance



# Non-Metallic Outlet Boxes

LIC-1G  
ITEM NO.: LIC-1G  
1 Gang Non-Metallic Outlet Box

**Product Description:**

1 Gang Non-Metallic Outlet Box.

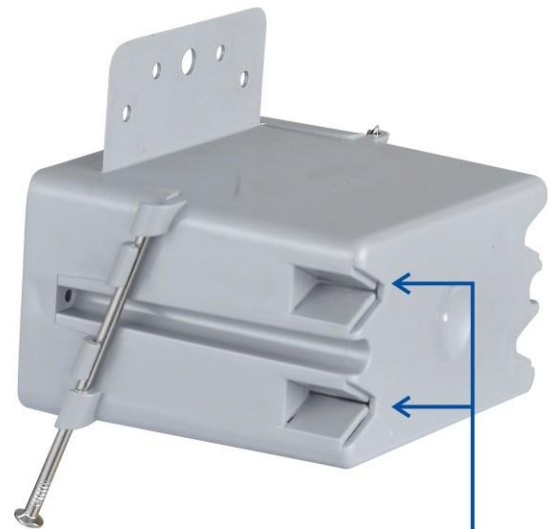
**Application:**

Mounts to wooden stud in new work residential applications.

**Features:**

- Nail holders allow for easy install to wooden stud.
- Wall alignment bracket for easy placement and screw holes.
- "V" wire clamps for securing the wire.
- UL Listed.
- 2 Hour Fire Rating.
- Thick PVC material creates stability and rigidity.

ITEM #:	LIC-1G
TRADE SIZE:	1 Gang
VOLUME:	22.5 CU.IN.
TYPE OF INSTALLATION:	New Work
ITEM HEIGHT:	4.16 inches
ITEM WIDTH:	3.50 inches
ITEM DEPTH:	3.45 inches



"V" Wire Clamps  
For entry of sheathed wires

**CERTIFICATIONS:**



UL Listed to UL 514C  
UL Classified for 2 Hour Fire Resistance

**FEI-ELECTRIC**

Website: [www.fei-electric.com](http://www.fei-electric.com)  
Phone: 1-866-FEI-ELEC (334-3532)  
Email: [FEIELEC@AOL.COM](mailto:FEIELEC@AOL.COM)



# Non-Metallic Outlet Boxes

**LIC-2G**  
**ITEM NO.: LIC-2G**  
**2 Gang Non-Metallic Outlet Box**

**Product Description:**

2 Gang Non-Metallic Outlet Box.

**Application:**

Mounts to wooden stud in new work residential applications.

**Features:**

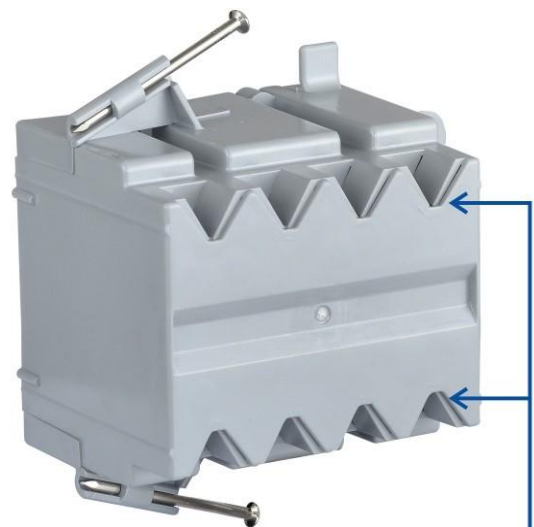
- Nail holders allow for easy install to wooden stud.
- Wall alignment tabs for easy placement and screw holes.
- Assisting bracket for added stability.
- "V" wire clamps for securing the wire.
- UL Listed.
- 2 Hour Fire Rating.
- Thick PVC material creates stability and rigidity.

<b>ITEM #:</b>	LIC-2G
<b>TRADE SIZE:</b>	2 Gang
<b>VOLUME:</b>	36 CU.IN.
<b>TYPE OF INSTALLATION:</b>	New Work
<b>ITEM HEIGHT:</b>	5.81 inches
<b>ITEM WIDTH:</b>	5.19 inches
<b>ITEM DEPTH:</b>	3.19 inches

**CERTIFICATIONS:**



UL Listed to UL 514C  
UL Classified for 2 Hour Fire Resistance



"V" Wire Clamps  
For entry of sheathed wires





# Non-Metallic Outlet Boxes

**LIC-3G**  
**ITEM NO.: LIC-3G**  
**3 Gang Non-Metallic Outlet Box**

**Product Description:**  
3 Gang Non-Metallic Outlet Box.

**Application:**  
Mounts to wooden stud in new work residential applications.

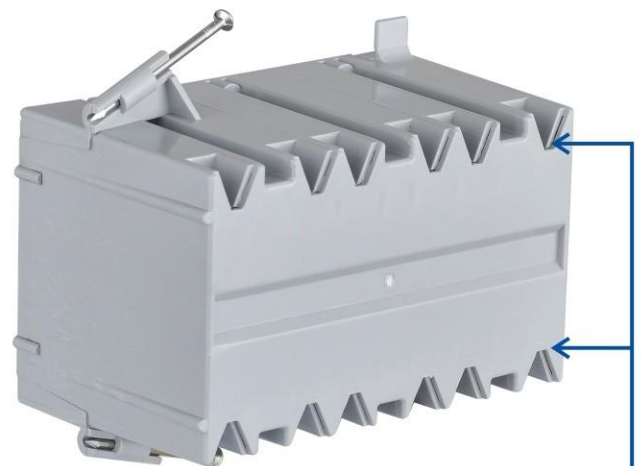
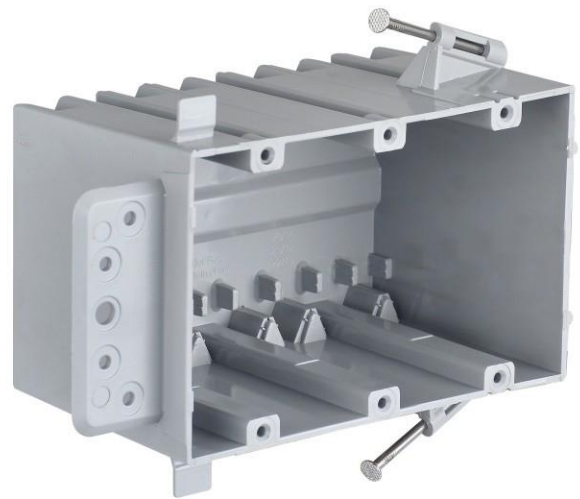
**Features:**  
Nail holders allow for easy install to wooden stud.  
Wall alignment tabs for easy placement and screw holes.  
Assisting bracket for added stability.  
Wire separating ribs.  
"V" wire clamps for securing the wire.  
UL Listed.  
2 Hour Fire Rating.  
Thick PVC material creates stability and rigidity.

<b>ITEM #:</b>	LIC-3G
<b>TRADE SIZE:</b>	3 Gang
<b>VOLUME:</b>	57 CU.IN.
<b>TYPE OF INSTALLATION:</b>	New Work
<b>ITEM HEIGHT:</b>	5.81 inches
<b>ITEM WIDTH:</b>	7.14 inches
<b>ITEM DEPTH:</b>	3.48 inches

**CERTIFICATIONS:**



UL Listed to UL 514C  
UL Classified for 2 Hour Fire Resistance



"V" Wire Clamps  
For entry of sheathed wires

**FEI-ELECTRIC**

Website: [www.fei-electric.com](http://www.fei-electric.com)  
Phone: 1-866-FEI-ELEC (334-3532)  
Email: [FEIELEC@AOL.COM](mailto:FEIELEC@AOL.COM)



# Non-Metallic Outlet Boxes

**LIC-4G**  
**ITEM NO.: LIC-4G**  
**4 Gang Non-Metallic Outlet Box**

**Product Description:**

4 Gang Non-Metallic Outlet Box.

**Application:**

Mounts to wooden stud in new work residential applications.

**Features:**

- Nail holders allow for easy install to wooden stud.
- Wall alignment tabs for easy placement and screw holes.
- Assisting bracket for added stability.
- "V" wire clamps for securing the wire.
- UL Listed.
- 2 Hour Fire Rating.
- Thick PVC material creates stability and rigidity.

<b>ITEM #:</b>	LIC-4G
<b>TRADE SIZE:</b>	4 Gang
<b>VOLUME:</b>	60 CU.IN.
<b>TYPE OF INSTALLATION:</b>	New Work
<b>ITEM HEIGHT</b>	7.82 inches
<b>ITEM WIDTH</b>	8.88 inches
<b>ITEM DEPTH</b>	2.77 inches

**CERTIFICATIONS:**



UL Listed to UL 514C  
UL Classified for 2 Hour Fire Resistance



"V" Wire Clamps  
For entry of sheathed wires



# Non-Metallic Outlet Boxes

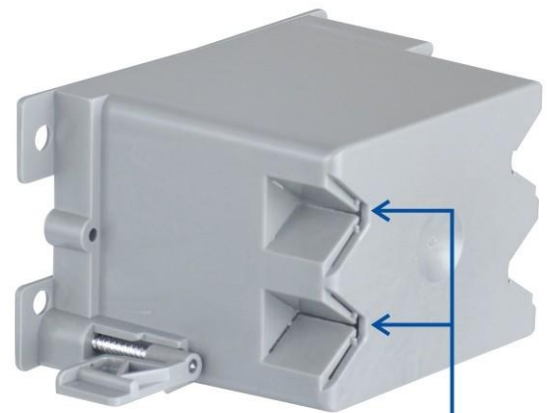
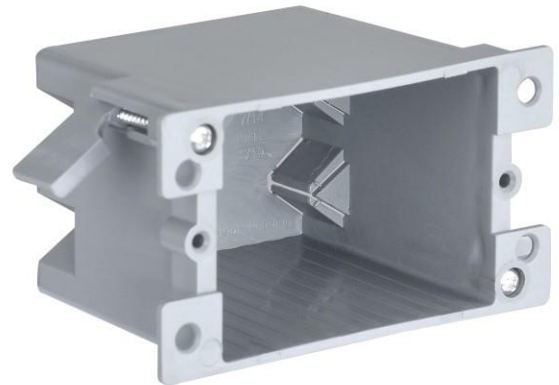
LIC-5  
ITEM NO.: LIC-5  
1 Gang Non-Metallic Outlet Box Old Work

**Product Description:**  
1 Gang Non-Metallic Outlet Box Old Work.

**Application:**  
Mounts into a pre-cut hole in old work residential applications.

**Features:**  
Mounting Tabs for easy install.  
"V" wire clamps for securing the wire.  
UL Listed.  
2 Hour Fire Rating.  
Thick PVC material creates stability and rigidity.

<b>ITEM #:</b>	LIC-5
<b>TRADE SIZE:</b>	1 Gang
<b>VOLUME:</b>	14 CU.IN.
<b>TYPE OF INSTALLATION:</b>	Old Work
<b>ITEM HEIGHT:</b>	4.15 inches
<b>ITEM WIDTH:</b>	2.26 inches
<b>ITEM DEPTH:</b>	2.80 inches



"V" Wire Clamps  
For entry of sheathed wires

**CERTIFICATIONS:**



UL Listed to UL 514C  
UL Classified for 2 Hour Fire Resistance

**FEI-ELECTRIC**

Website: [www.fei-electric.com](http://www.fei-electric.com)  
Phone: 1-866-FEI-ELEC (334-3532)  
Email: [FEIELEC@AOL.COM](mailto:FEIELEC@AOL.COM)



# Box Expander

LIC-6

ITEM NO.: LIC-6

1 Gang Non-Metallic Box Expander

### Product Description:

1 Gang Non-Metallic Box Expander.

### Application:

Slides into 1 Gang New Work Outlet Boxes.

### Features:

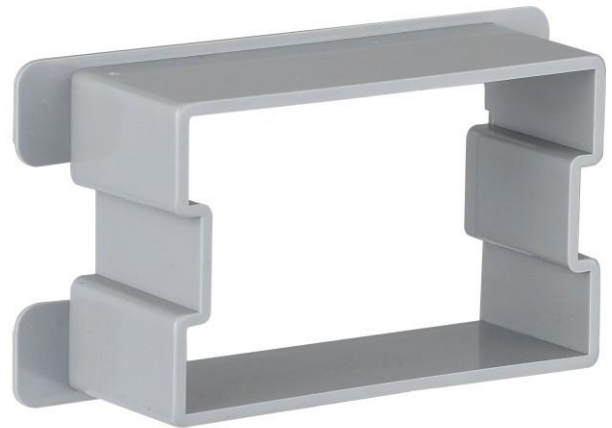
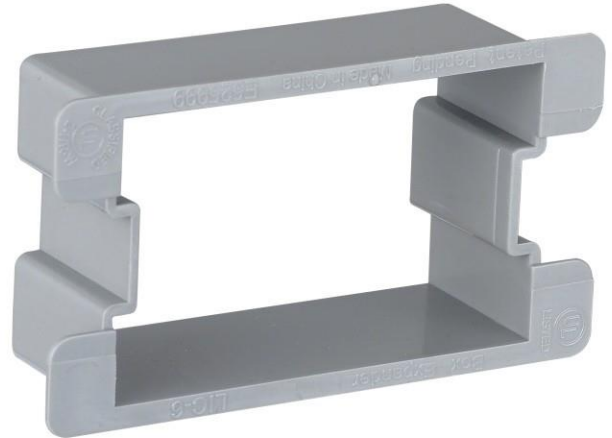
Fits around Dimmers and GFCI Devices.

Fits into 1 Gang New Work Boxes.

UL Listed.

2 Hour Fire Rating.

Thick PVC material creates stability and rigidity.



<b>ITEM #:</b>	LIC-6
<b>TRADE SIZE:</b>	1 Gang
<b>VOLUME:</b>	6 CU.IN.
<b>TYPE OF INSTALLATION:</b>	New Work
<b>ITEM HEIGHT:</b>	4.0 inches
<b>ITEM WIDTH:</b>	2.20 inches
<b>ITEM DEPTH:</b>	1.20 inches

### CERTIFICATIONS:



UL Listed to UL 514C

UL Classified for 2 Hour Fire Resistance

**FEI-ELECTRIC**

Website: [www.fe-electric.com](http://www.fe-electric.com)

Phone: 1-866-FEI-ELEC (334-3532)

Email: [FEIELEC@AOL.COM](mailto:FEIELEC@AOL.COM)





# Non-Metallic Ceiling Box (Old Work Box)

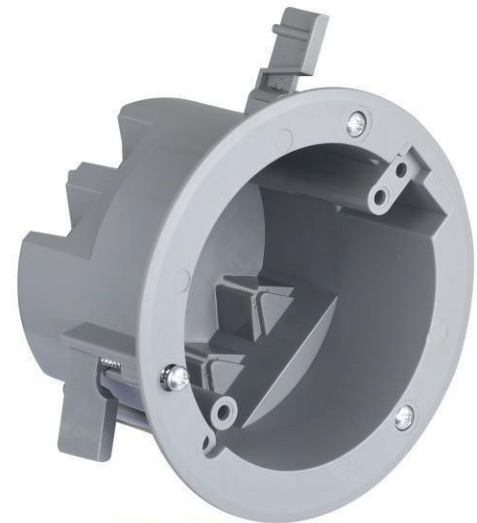
LIC-7  
ITEM NO.: LIC-7  
4/0 ROUND CEILING BOX OLD WORK

**Product Description:**  
4/0 Round Ceiling Box Old Work.

**Application:**  
Mounts into a pre-cut hole in old work residential applications.

**Features:**  
Mounting Tabs for easy install.  
"V" wire clamps for securing the wire.  
UL Listed.  
2 Hour Fire Rating.  
Thick PVC material creates stability and rigidity.  
Acceptable for up to 6 lb. fixture support.

<b>ITEM #:</b>	LIC-7
<b>TRADE SIZE:</b>	4/0 Round
<b>VOLUME:</b>	18 CU.IN.
<b>TYPE OF INSTALLATION:</b>	Old Work
<b>ITEM DEPTH:</b>	2.67 inches
<b>ITEM HEIGHT:</b>	4.39 inches
<b>ITEM WIDTH:</b>	4.39 inches



**Old Work Box**



"V" Wire Clamps  
For entry of sheathed wires

**CERTIFICATIONS:**



UL Listed to UL 514C  
UL Classified for 2 Hour Fire Resistance

**FEI-ELECTRIC**

Website: [www.fei-electric.com](http://www.fei-electric.com)  
Phone: 1-866-FEI-ELEC (334-3532)  
Email: [FEIELEC@AOL.COM](mailto:FEIELEC@AOL.COM)





# Non-Metallic Ceiling Box [ New Work Box ]

LIC-8

ITEM NO.: LIC-8

**Product Description:**

4/0 ROUND BOX (CEILING BOX) WITH  
ADJUSTABLE BAR (14-1/4" TO 23-1/5")

**Application:**

Adjustable ceiling fixture box for new work residential.

**Features:**

Adjustable Bar (14-1/4" to 23-1/5")

"V" wire clamps for securing the wire.

UL Listed.

2 Hour Fire Rating.

Thick PVC material creates stability and rigidity.

Acceptable for fixture support up to 50 lbs.



<b>ITEM #:</b>	LIC-8
<b>TRADE SIZE:</b>	4/0 Round
<b>VOLUME:</b>	20 CU.IN.
<b>TYPE OF INSTALLATION:</b>	New Work
<b>ITEM DEPTH:</b>	2.30 inches
<b>ITEM HEIGHT:</b>	4.06 inches
<b>ITEM WIDTH:</b>	4.06 inches



**CERTIFICATIONS:**



UL Listed to UL 514C

UL Classified for 2 Hour Fire Resistance

**FEI-ELECTRIC**

Website: [www.fei-electric.com](http://www.fei-electric.com)

Phone: 1-866-FEI-ELEC (334-3532)

Email: [FEIELEC@AOL.COM](mailto:FEIELEC@AOL.COM)



# Non-Metallic Ceiling Box

**LIC-9**  
**ITEM NO.: LIC-9**  
**HEAVY DUTY FAN BOX**

**Product Description:**  
Heavy Duty Fan Support.

**Application:**  
Ceiling Fan Support mounts to wooden stud.

**Features:**  
For fixture support of 150 lbs or less.  
Acceptable for fan support of 70 lbs or less.  
L-shaped Saddle Style fan box screws straight to wooden stud using 10-32 screws.  
"V" wire clamps for securing the wire.  
UL Listed.  
2 Hour Fire Rating.  
Thick PVC material creates stability and rigidity.  
Wire protecting Cap.  
Use Provided Screws Only.

<b>ITEM #:</b>	LIC-9
<b>TRADE SIZE:</b>	4/0 Round
<b>VOLUME:</b>	12 CU.IN.
<b>TYPE OF INSTALLATION:</b>	New Work
<b>ITEM HEIGHT:</b>	4.0 inches
<b>ITEM DIAMETER:</b>	4.10 inches



"V" Wire Clamps  
For entry of sheathed wires

**CERTIFICATIONS:**



UL Listed to UL 514C  
UL Classified for 2 Hour Fire Resistance

**FEI-ELECTRIC**

Website: [www.fei-electric.com](http://www.fei-electric.com)  
Phone: 1-866-FEI-ELEC (334-3532)  
Email: [FEIELEC@AOL.COM](mailto:FEIELEC@AOL.COM)



# Non-Metallic Ceiling Box

**LIC-10**  
**ITEM NO.: LIC-10**  
**CEILING FAN OUTLET BOX**

**Product Description:**  
Ceiling Fan Outlet Box.

**Application:**  
Mounts to wooden stud using provided screws.

**Features:**  
Rated for 35 lbs ceiling fan.  
Rated for 50 lbs fixture weight.  
"V" wire clamps for securing the wire.  
UL Listed.  
2 Hour Fire Rating.  
Thick PVC material creates stability and rigidity.  
Use Provided Screws and Washers Only.

<b>ITEM #:</b>	LIC-10
<b>TRADE SIZE:</b>	4/0 Round
<b>VOLUME:</b>	8 CU.IN.
<b>TYPE OF INSTALLATION:</b>	New Work
<b>ITEM HEIGHT:</b>	1.36 inches
<b>ITEM DIAMETER:</b>	4.30 inches



"V" Wire Clamps  
For entry of sheathed wires

**CERTIFICATIONS:**



UL Listed to UL 514C  
UL Classified for 2 Hour Fire Resistance

**FEI-ELECTRIC**

Website: [www.fei-electric.com](http://www.fei-electric.com)  
Phone: 1-866-FEI-ELEC (334-3532)  
Email: [FEIELEC@AOL.COM](mailto:FEIELEC@AOL.COM)



# ***Metal Fan/ Fixture Box***

**LIC-12**  
**ITEM NO.: LIC-12**  
**Metal Fan Support Box**



**Product Description:**  
1-1/2" Octagon Ceiling Fan

**Application:**  
Mounts to wooden stud for fan / fixture support.

**Features:**  
Metal support bar extends from 16" to 24".  
Green bonding screw included.  
Fixture mounting hardware included (10-32 x 1" and 8-32 acceptable).  
Adjustable metal box slides along metal bar for precise location.  
Three 1/2" knockouts.  
UL 514A, CSA C22.2 Approval.

<b>TRADE SIZE:</b>	4 inches
<b>VOLUME:</b>	15.8 CU.IN.
<b>TYPE OF INSTALLATION:</b>	New Work
<b>ITEM DIAMETER:</b>	4 inches
<b>ITEM LENGTH:</b>	24 inches



**CERTIFICATIONS:**



**FEI-ELECTRIC**

Website: [www.fei-electric.com](http://www.fei-electric.com)  
Phone: 1-866-FEI-ELEC (334-3532)  
Email: [FEIELEC@AOL.COM](mailto:FEIELEC@AOL.COM)



## Packaging and Shipping Information

Item #	Carton (L) CM	Carton (W) CM	Carton (H) CM	Quantity per Carton (PCS)	Quantity of Carton per 40HQ	Quantity per 40HQ (PCS)
LIC-1G	54.0	33.0	47.5	100	760	76000
LIC-2G	62.0	54.0	43.0	100	480	48000
LIC-3G	67.5	41.0	47.5	60	465	27900
LIC-4G	69.0	44.0	38.0	40	570	22800
LIC-5	49.0	47.5	39.0	200	701	140200
LIC-6	52.0	45.0	35.5	400	805	322000
LIC-7	52.0	42.5	38.0	100	840	84000
LIC-8	56.0	38.0	31.0	60	1009	60480
LIC-9	55.0	45.0	39.0	120	670	80400
LIC-10	56.5	45.0	31.0	200	840	168000
LIC-12	39.5	31.0	23.0	12	1930	23160



# ELECTRIC

## F.E.I.

Website: [www.fei-electric.com](http://www.fei-electric.com)

Phone: 1-866-FEI-ELEC (334-3532)

Email: [FEIELEC@AOL.COM](mailto:FEIELEC@AOL.COM)