

# FOGATTI

WATER HEATING EXPERT

## FOGATTI INC.

📍 Address  
3500 CR 6 East, Elkhart, IN 46514  
🌐 Web  
www.fogatti.com

☎ Tel  
877-216-1818

✉ E-mail  
info@fogatti.com



2 0 2 4



**FOGATTI**  
WATER HEATING EXPERT

**WATER HEATER**  
FOGATTI INC.

www.fogatti.com

# Fogatti Group

- 20** Founded in **2003**
- Leading** A **leading enterprise** in water heating industry\*
- TOP brands** OEM for **top brands**
- 12 Million** Over **12 million** users
- Global** More than **50 countries**



## CONTENTS

Fogatti  
Electric Tankless

Pages 01-03



Fogatti  
Electric Mini-Tank

Page 04



Fogatti  
Gas Tankless

Pages 05-08



Mizudo  
Electric Tankless

Pages 09-10



Mizudo  
Electric Mini-Tankless

Page 11



Mizudo  
Electric Mini-Tank

Page 12



Mizudo  
Gas Tankless

Pages 13-16



\*The No.1 exporter in China, according to China customs export data in 2017.





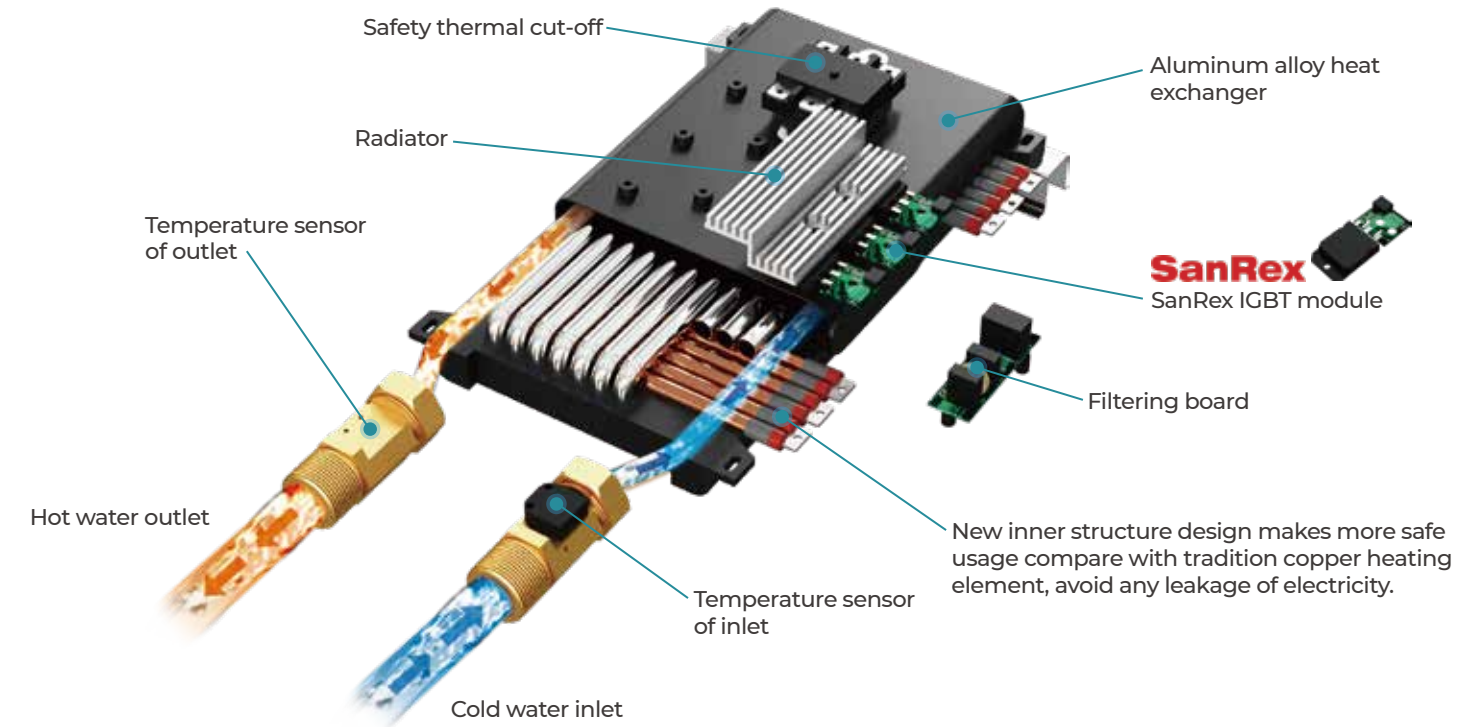
## Fogatti Electric Tankless Water Heater

Energy saving | High efficiency | Reliable quality

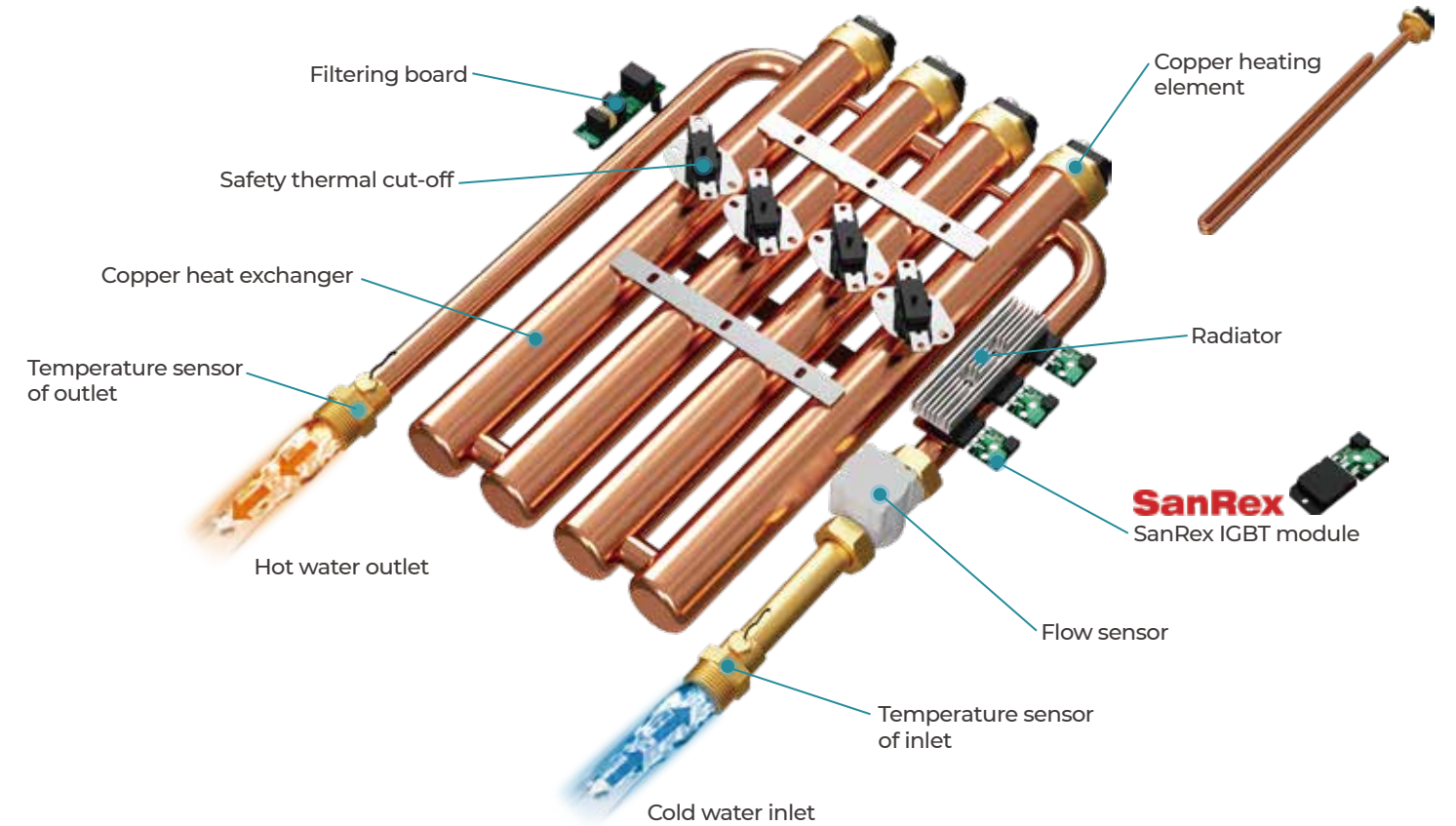
Instant&constant hot water supply.

Sapce saving with timely and efficient hot water supply for whole house family using.

### Aluminum Alloy Heating System



### Copper Heating System





## Fogatti Electric Tankless Water Heater



- Unlimited hot water supply

It can provide you endless hot water, allowing your family to enjoy continuous comfort for their household's needs in whole house.

- Energy and space saving

It only heats water on demand and achieves instant hot water, which results in significant energy savings. Benefit from its compact size, there are many options for its installation position.

- Safe to use

It has safety features such as thermal sensors or limit switches that automatically shut off the unit if the water temperature becomes too high or if there is a malfunction.

## Multipoint Water Supply

Sufficient water flow to support multiple points of water use.



## Fogatti Electric Mini-Tank Water Heater

Excellent performance | Wide adaptability | Convenient  
Easy installation | Energy saving

## Fogatti Electric Mini-Tank Water Heater



- Rapid temperature recovery

It can be heated with 1440W of power, the L-shaped heating rod gives it a larger heat exchange area with the water in the tank and the 310S stainless steel is more efficient in heat transfer.

- Versatile and compatible

Its compact and streamlined design makes it perfect for homes, RVs, food trucks. The installation in cupboard, bathroom cabinets and washing machine cabinets are also good locations.

- Lasting and durable

The main material is coated with smooth enamel. The tank is evenly covered with a 0.03" thick layer of enamel, which is corrosion and rust resistant and leak-proof. T&P valve and magnesium rod included.

## Technical Data

Usage Scenario	Whole House			
	15	18	24	27
Wattag (kW)	15	18	24	27
Voltage (V)	240			
Rated Current (A)	65	75	100	113
Required Number of Dedicated Circuit Breakers (A)	2*40	2*40	3*40	3*40
Min. Required Wire (AWG)	2*10	2*8	3*8	3*8
Start-up Water Flow (GPM)	0.66			
Efficiency	98%			
Temperature Setting Range (°F)	86 - 140			
Water Connections (NPT)	3/4" NPT			
Product Size (inch)	17.05 × 12.99 × 3.58			
Weight of Unit (lbs)	19.50			

## Technical Data

Model	Etank 25	Etank 40	Etank 80
Capacity (gal)	2.5	4	8
Installation	Vertical wall mounted		
Control Type	Manual control		
Heating Element	310S		
Rated Power (W)	1440		
Rated Voltage (V)	120V~		
Rated Frequency (Hz)	60		
Rated Current (A)	12		
Thermostat	Capillary		
Temperature Range (°F)	55-145		
Thermal Cut-off	Snap action		
Wire Type	Plug in		
Working Pressure (PSI)	150		
Protection Against Humidity	IPX4		
Water Connections (NPT)	1/2" NPT	1/2" NPT	3/4" NPT
Product Size (inch)	13.39 × 13.39 × 11.42	14.96 × 14.96 × 12.80	17.32 × 17.32 × 15.35





## Fogatti Indoor Gas Tankless Water Heater

Well-engineered | High efficiency | Environment friendly  
The most innovative technology of sanitary hot water.



- Smaller size and better performance

It occupies 1/3 space of a fifty-gallon tank water heater, and it produces maximumly 8.17 GPM hot water, enough for bathroom and kitchen hot water demand.

- Time saving

Quickly generates hot water in 2 seconds, no waiting and enjoy your shower instantly.

### Tankless

Space saved

±1°F Temperature control

Instant hot water

No anode rod needed



### Tank

Large space occupied

Significant temperature fluctuation

Long heating time

Anode rod needed



## Fogatti Outdoor Gas Tankless Water Heater



- Smaller size and better performance

It occupies 1/3 space of a fifty-gallon tank water heater, and it produces maximumly 8.85 GPM hot water, enough for bathroom and kitchen hot water demand.

- Fast and endless supply of hot water

The heat exchanger quickly heats the water to a maximum of 140°F in 2 seconds and the hot water is quickly piped to the shower and tap.

- Stable and comfortable temperature

Benefiting from the calculation and control of the heating power 10000/s by the chip, the temperature difference of the water can be precisely controlled within ±2°F.

- High compatibility

Most tank water heaters have exhaust vent, water and gas pipe that can be universally used in tankless.



## Fogatti Outdoor Gas Tankless Water Heater

Well-engineered | High efficiency | Environment friendly  
The most innovative technology of sanitary hot water.



## Advanced Sectional Combustion Technology

Not Overheat 89°F      Normal 113°F      Warm Enough 140°F

Summer Settings      Spring/Fall Settings      Winter Settings

## Multipoint Hot Water Supply



Shower




Washing




Pet Shower



## Technical Data (Indoor Seires)

Appearance			
	InstaGas Comfort 120	InstaGas Comfort 145	InstaGas Comfort 170
Model	InstaGas Comfort 120	InstaGas Comfort 145	InstaGas Comfort 170
Heat Capacity (Input)	120,000	145,000	170,000
Flow Rate (35°F Temp Rise) (GPM/min)	5.45	6.81	8.17
Min. Flow Rate (GPM/min)	0.55	0.55	0.66
Efficiency / UEF		>0.81	
Efficiency / EF (Canada)		>84%	
Installation Type		Indoor, wall-hung	
Water Pressure (PSI)		15-150	
NG Supply Pressure (W.C.)		Min. 3.5" Max. 10.5"	
LPG Supply Pressure (W.C.)		Min. 8.0" Max. 13.0"	
Water Connections (NPT)		3/4" NPT	
Gas Inlet (NPT)		3/4" NPT	
Power Supply		100-250 VAC, 50/60Hz	
Casing Materials		SPCC	
Heat Exchangers		Oxygen-free copper	
Weight of Unit (lbs)	25.57	36.38	40.80
Product Size (inch)	22.76 × 14.57 × 7.00	23.94 × 15.51 × 7.28	26.20 × 17.10 × 7.30
Packing Size (inch)	31.10 × 18.70 × 10.10	31.10 × 18.70 × 10.10	33.20 × 21.00 × 10.10
Safety Devices	Thermostat-over temperature protection. Pressure relief valves (option).		

## Technical Data (Outdoor Seires)

Appearance			
	InstaGas Comfort 120S	InstaGas Comfort 145S	InstaGas Comfort 180S
Model	InstaGas Comfort 120S	InstaGas Comfort 145S	InstaGas Comfort 180S
Heat Capacity (Input)	120,000	145,000	180,000
Flow Rate (35°F Temp Rise) (GPM/min)	5.45	6.81	8.85
Min. Flow Rate (GPM/min)	0.55	0.55	0.66
Efficiency / UEF		>0.81	
Efficiency / EF (Canada)		>84%	
Installation Type		Outdoor, wall-hung	
Water Pressure (PSI)		15-150	
NG Supply Pressure (W.C.)		Min. 3.5" Max. 10.5"	
LPG Supply Pressure (W.C.)		Min. 8.0" Max. 13.0"	
Water Connections (NPT)		3/4" NPT	
Gas Inlet (NPT)		3/4" NPT	
Power Supply		100-250 VAC, 50/60Hz	
Casing Materials		SPCC	
Heat Exchangers		Oxygen-free copper	
Weight of Unit (lbs)	29.32	35.60	43.20
Product Size (inch)		23.94 × 15.51 × 7.28	26.20 × 17.10 × 7.30
Packing Size (inch)		31.10 × 18.70 × 10.10	33.20 × 21.00 × 10.10
Safety Devices	Thermostat-over temperature protection. Pressure relief valves (option).		





## Mizudo Electric Tankless Water Heater

Energy saving | High efficiency | Reliable quality  
Instant&constant hot water supply.

## Mizudo Electric Tankless Water Heater



- Unlimited hot water supply

Patented self developed automatic energy-saving constant temperature technology. High power heating can meet the needs of multiple hot water users simultaneously.

- Energy saving and space saving

It only heats water on demand and achieves instant hot water, which results in significant energy savings. Benefit from its compact size, there are many options for its installation position.

- Safe to use

It has safety features such as thermal sensors or limit switches that automatically shut off the unit if the water temperature becomes too high or if there is a malfunction.

## LC Resonant Dynamic Wave Filter



Anti-EMI Interference



Stabilize the Input Voltage



Protect the Control Panel



## Technical Data

Usage Scenario	Point of Use					Whole House				
	8	10	11	12	14.6	15	18	24	27	36
Wattag (kW)						240				
Voltage (V)	240									
Rated Current (A)	34	42	46	50	61	65	75	100	113	150
Required Number of Dedicated Circuit Breakers (A)	1*40	1*50	1*50	1*63	1*63	2*40	2*40	3*40	3*40	4*40
Min. Required Wire (AWG)	1*10	1*8	1*8	1*6	1*6	2*10	2*8	3*8	3*8	4*8
Activated Flow (GPM)	0.40				0.48	0.66				0.50
Efficiency	98%									
Temperature Setting Range (°F)	86-140									
Water Connections (NPT)	1/2" NPT					3/4" NPT				
Product Size (inch)	14.30 × 9.57 × 2.80					17.05 × 12.99 × 3.58				16.42 × 16.02 × 3.74
Weight of Unit (lbs)	12.00					19.50				28.66

## Mizudo Electric Mini-Tankless Water Heater

High efficiency | Space saving | Multi-safety protection  
Reliable quality endless instant&constant hot water supply for kitchen and various sink.



## Mizudo Electric Mini-Tankless Water Heater



- Self-developed

New generation selfdeveloped aluminum alloy heating element, higher efficient heating exchange.

- Self-adjustment function

Steady temperature controlon-demand. Instant endless hot water.

- Space saving

Compact design, release space from storage tank.

- Multi-scene use

Suitable for 360° direction of installation, meet any commercial and household usage scene.

### Technical Data

Usage Scenario	Point of Use	
Wattag (kW)	3.5	6.5
Voltage (V)	240	
Rated Current (A)	14.6	27
Required Number of Dedicated Circuit Breakers (A)	25	32
Min. Required Wire (AWG)	1*12	1*10
Activated Flow (GPM)	0.3	0.4
Efficiency	98%	
Temperature Setting Range ( °F)	86-140	
Water Connections (NPT)	1/2" NPT	
Product Size (inch)	12.91 × 8.58 × 2.28	



## Mizudo Electric Mini-Tank Water Heater

Excellent performance | Wide adaptability | Convenient  
Easy installation | Energy saving

## Mizudo Electric Mini-Tank Water Heater



- Rapid temperture recovery

It can be heated with 1440W of power, the L-shaped heating rod gives it a larger heat exchange area with the water in the tank and the 310S stainless steel is more efficient in heat transfer.

- Versatile and compatible

Its compact and streamlined design makes it perfect for homes, RVs, food trucks. The installation in cupboard, bathroom cabinets and washing machine cabinets are also good locations.

- Lasting and durable

The main material is coated with smooth enamel. The tank is evenly covered with a 0.03" thick layer of enamel, which is corrosion and rust resistant and leak-proof. T&P valve and magnesium rod included.

### Technical Data

Model	Etank 25	Etank 40	Etank 80
Capacity (gal)	2.5	4	8
Installation	Vertical wall mounted		
Control Type	Manual control		
Heating Element	310S		
Rated Power (W)	1440		
Rated Voltage (V)	120V~		
Rated Frequency (Hz)	60		
Rated Current (A)	12		
Thermostat	Capillary		
Temperature Range (°F)	55-145		
Thermal Cut-off	Snap action		
Wire Type	Plugin		
Working Pressure (PSI)	150		
Protection Against Humidity	IPX4		
Water Connections (NPT)	1/2" NPT		3/4" NPT
Product Size (inch)	13.39 × 13.39 × 11.42	14.96 × 14.96 × 12.80	17.32 × 17.32 × 15.35





## Mizudo Indoor Gas Tankless Water Heater

Well-engineered | High efficiency | Environment friendly  
The most innovative technology of sanitary hot water.

## Mizudo Indoor Gas Tankless Water Heater



- Smaller size and better performance

It is only 1/3 size of a 50 gallon tank water heater, but it produces approximately 9.4 GPM of hot water through 170,000 BTU for both bathroom and kitchen hot water demand.

- Fast and endless supply of hot water

The heat exchanger quickly heats the water to a maximum of 140°F in 2 seconds and the hot water is quickly piped through to the shower and tap. No need to wait for the hot water like a tank water heater.

- Stable and comfortable temperature

Benefiting from the calculation and control of the heating power 10000/s by the chip the temperature difference of the water can be precisely controlled within ±2°F.

### Appearance



## Mizudo Outdoor Gas Tankless Water Heater



- Outdoor installation

The product is installed outdoors and does not occupy the living space. The bottom built-in forced DC fan eliminates the influence of external wind. So as to ensure the stability of combustion, achieve safety and energy saving.

- Fast and endless supply of hot water

The heat exchanger quickly heats the water to a maximum of 140°F in 2 seconds and the hot water is quickly piped to the shower and tap. No need to wait for the hot water like a tank water heater.

- Stable and comfortable temperature

Benefiting from the calculation and control of the heating power 10000/s by the chip, the temperature difference of the water can be precisely controlled within ±2°F.

### Appearance



## Mizudo Outdoor Gas Tankless Water Heater

Well-engineered | High efficiency | Environment friendly  
The most innovative technology of sanitary hot water.



## High Flow Continuous Hot Water

Produces more hot water at the same time.

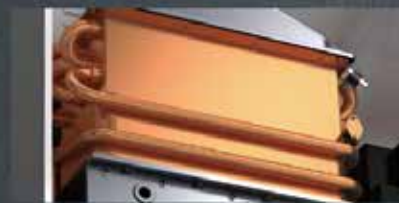


## Multi-point Simultaneous Water Supply



Bathtub x1 Shower head x1 Faucet x2

## Internal Details



Oxygen-Free Copper Tank



Blower



Segmented Burner



Water Flow Sensor

## Technical Data (Indoor Seires)

Appearance					
Model	Classic 80 / 100	Classic 90 / 120	Classic 145	Classic 170	Classic 199
Heat Capacity (Input)	80,000 / 100,000	90,000 / 120,000	145,000	170,000	199,000
Flow Rate (35°F Temp Rise) (GPM/min)	4.09 / 4.77	4.43 / 5.45	6.81	8.17	9.40
Min. Flow Rate (GPM/min)	0.55"	0.55	0.55	0.66	0.55
Efficiency / UEF	>0.81				
Efficiency / EF (Canada)	>84%				
Installation Type	Indoor, wall-hung				
Water Pressure (PSI)	15-150				
NG Supply Pressure (W.C.)	Min. 3.5" Max. 10.5"				
LPG Supply Pressure (W.C.)	Min. 8.0" Max. 13.0"				
Water Connections (NPT)	3/4" NPT				
Gas Inlet (NPT)	3/4" NPT				
Power Supply	100-250 VAC, 50/60Hz				
Casing Materials	SPCC				
Heat Exchangers	Oxygen-free copper				
Weight of Unit (lbs)	22.00	24.47 / 25.57	36.38	40.80	44.08
Product Size (inch)	20.5 × 13.00 × 7.00	22.76 × 14.57 × 7.00	23.94 × 15.51 × 7.28	26.20 × 17.10 × 7.30	22.80 × 15.74 × 10.80
Packing Size (inch)	31.30 × 19.70 × 10.00	31.10 × 18.70 × 10.10	31.10 × 18.70 × 10.10	33.20 × 21.00 × 10.10	28.70 × 18.50 × 13.58
Safety Devices	Thermostat-over temperature protection. Pressure relief valves (option).				

## Technical Data (Outdoor Seires)

Appearance				
Model	Classic 120S	Classic 145S	Classic 170S	Classic 199S
Heat Capacity (Input)	120,000	145,000	170,000	199,000
Flow Rate (35°F Temp Rise) (GPM/min)	5.45	6.81	8.17	9.40
Min. Flow Rate (GPM/min)	0.55	0.55	0.66	0.55
Efficiency / UEF	>0.81			
Efficiency / EF (Canada)	>84%			
Installation Type	Outdoor, wall-hung			
Water Pressure (PSI)	15-150			
NG Supply Pressure (W.C.)	Min. 3.5" Max. 10.5"			
LPG Supply Pressure (W.C.)	Min. 8.0" Max. 13.0"			
Water Connections (NPT)	3/4" NPT			
Gas Inlet (NPT)	3/4" NPT			
Power Supply	100-250 VAC, 50/60Hz			
Casing Materials	SPCC			
Heat Exchangers	Oxygen-free copper			
Weight of Unit (lbs)	29.32	35.60	43.20	48.51
Product Size (inch)	23.94 × 15.51 × 7.28		26.20 × 17.10 × 7.30	
Packing Size (inch)	31.10 × 18.70 × 10.10		33.20 × 21.00 × 10.10	
Safety Devices	Thermostat-over temperature protection. Pressure relief valves (option).			



# TECASA

*Stylish Kitchen Life*

## FOGATTI INC.

Address  
3500 CR 6 East, Elkhart, IN 46514

Web  
www.fogatti.com

Tel  
877-216-1818

E-mail  
info@fogatti.com



2 0 2 4



**TECASA**  
*Stylish Kitchen Life*

# KITCHEN SOLUTIONS

FOGATTI INC.

TECASA is a company focusing on kitchen hardware and appliances and specialized in product development, manufacturing, and sales since 2014. We expand global presence with a team of over 500 people and 120k ft<sup>2</sup> manufacturing base.

Tecasa has gained 69 patents and various certifications. Our products have been widely sold to United States, Europe, Australia and other regions and achieved great success.

TECASA is dedicated to providing customers with more comfortable and pleasant kitchen experience with high quality products. Hope you explore stylish and enjoyable kitchen life with us!



# CONTENTS

## KITCHEN FIXTURES

Classic Sink	01
Farmhouse Sink	02
Workstation Sink	03
Fireclay Sink	04
Granite Composite Sink	06
Sink Dishwasher	08
Accessories	09

## KITCHEN APPLIANCES

Garbage Disposal	11
Instant Hot Water Dispenser	13
RO Water Filter	14
Ceramic and Induction Hobs	15
Air Venting Induction Hob	17
Built-in Electric Oven	18
Range Hood	19





# Classic Sink

The sink is made of 304-t grade and 18 gauge thick stainless steel.



- Perfectly Silent
- Damp Proof
- Excellent Drainage

**TECASA**  
*Stylish Kitchen Life*

## • Models



TSSF 10-36CA  
36" x 22" x 10"



TSSF 10-33CA  
33" x 22" x 10"



TSSF 10-30CA  
30" x 22" x 10"



TSDF 10-36CB  
36" x 22" x 10"



TSDF 10-33CB  
33" x 22" x 10"



TSSF 10-36FA  
36" x 22" x 10"



TSSF 10-33FA  
33" x 22" x 10"



TSSF 10-30FA  
30" x 22" x 10"



TSDF 10-36FB  
36" x 22" x 10"



TSDF 10-33FB  
33" x 22" x 10"

## • Finishes



Stainless Steel



Gunmetal Black



Matte Black



Rose Gold



Matte Gold



Matte Bronze

## • Models



TSST 30-33FA  
33" x 22" x 9"



TSST 30-25FA  
25" x 22" x 9"



TSSU 10-36FA  
36" x 18" x 10"



TSSU 10-33FA  
33" x 18" x 10"



TSSU 10-30FA  
30" x 18" x 10"



TSSU 10-26FA  
26" x 18" x 10"



TSSU 10-22FA  
22" x 18" x 10"



TSSU 10-16FA  
16" x 18" x 10"



TSDU 10-33FB  
33" x 18" x 10"



TSDU 10-33FC  
33" x 18" x 10"



TSDU 10-30FC  
30" x 18" x 10"

## • Finishes



Stainless Steel



Gunmetal Black



Matte Black



Rose Gold



Matte Gold



Matte Bronze

# Farmhouse Sink

Optimized bottom slope with channel grooves that directs water drainage.



- Sturdy and Durable
- Easy to Maintain
- Rust & Stain Resistance



# Workstation Sink

Complete solution, makes kitchen work simple and convenient.



- Beauty
- Strength
- Innovation

**TECASA**  
*Stylish Kitchen Life*

# Multi Color Selectable

Our products have five colors to choose from, and a variety of choices allow you to choose satisfactory products.



## • Models



TSSU 20-36FA  
36" x 18" x 10"



TSSU 20-33FA  
33" x 18" x 10"



TSSU 20-30FA  
30" x 18" x 10"



TSDU 20-33FB  
33" x 18" x 10"

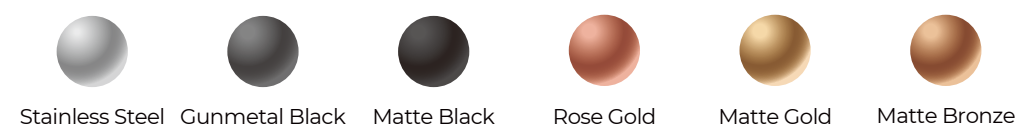


TSST 40-33FA  
33" x 22" x 9"



TSDU 20-33FB  
33" x 18" x 9"

## • Finishes



# Fireclay Sink

Each sink is meticulously handcrafted by skilled Italian artisans.



- High-capacity
- Highly Durable
- Premium Accessories



• Classic series



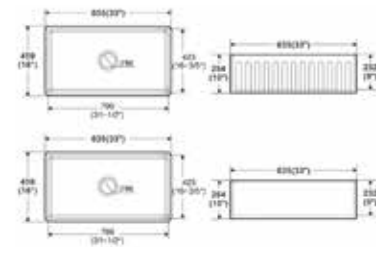
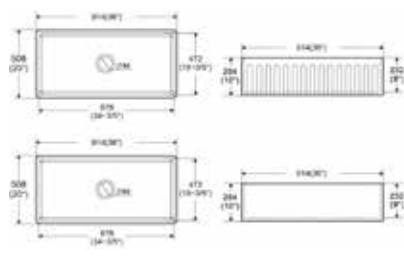
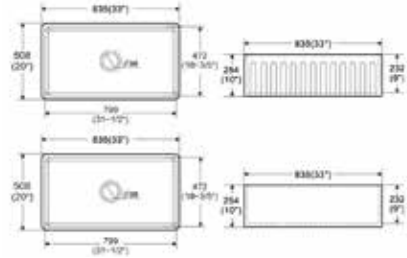
TSPSF 10-33FA  
33" x 20" x 10"



TSPSF 10-36FA  
36" x 20" x 10"



TSPDF 10-33FB  
33" x 18" x 10"



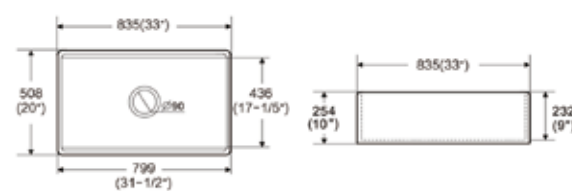
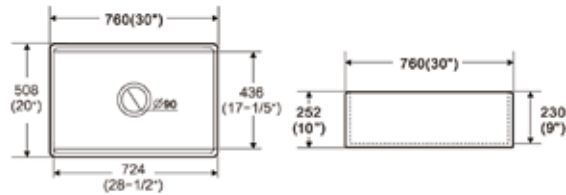
• Workstation series



TSPSF 20-30FA  
30" x 20" x 10"



TSPSF 20-33FA  
33" x 20" x 10"



• Farmhouse series



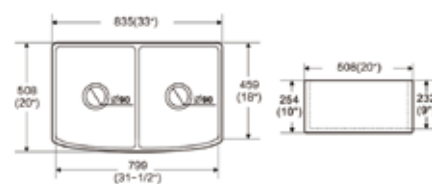
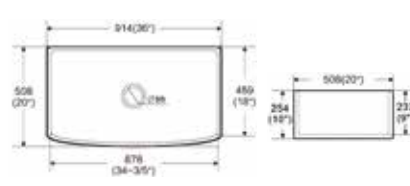
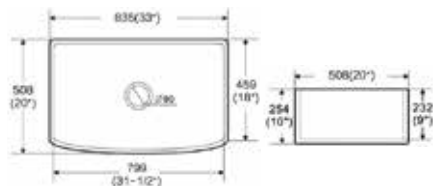
TSPSF 10-33CA  
33" x 20" x 10"



TSPSF 10-36CA  
36" x 20" x 10"



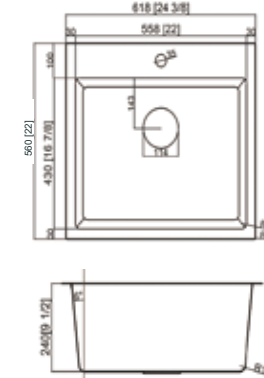
TSPDF 10-33CB  
33" x 20" x 10"



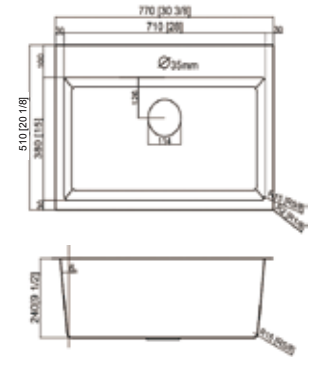
• Classic series



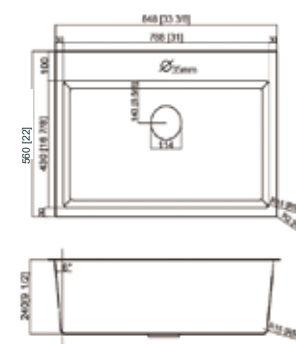
TSNSU 60-25FA  
24-3/8" x 22" x 9-1/2"



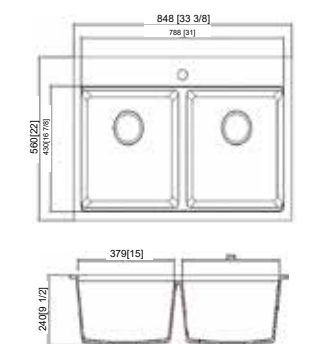
TSNSU 60-30FA  
30-3/8" x 20-1/8" x 9-1/2"



TSNSU 60-33FA  
33-3/8" x 22" x 9-1/2"



TSNDU 60-30FB  
33-3/8" x 22" x 9-1/2"



**Granite Composite Sink**

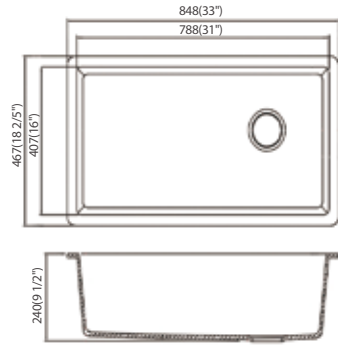
Naturally hygienic material offers the feel of real stone.

- Anti-fade
- Anti-scratches
- Anti-stains

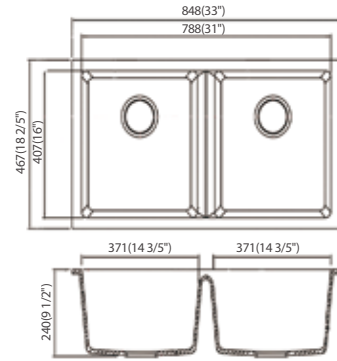
• Workstation series



TSNST 60-33FA  
33" x 18-2/5" x 9-1/2"



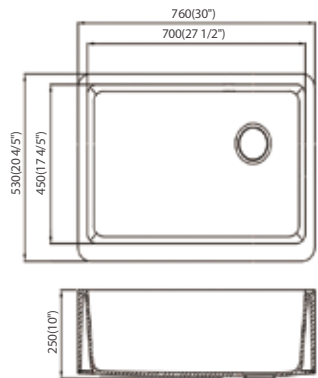
TSNDT 60-33FB  
33" x 18-2/5" x 9-1/2"



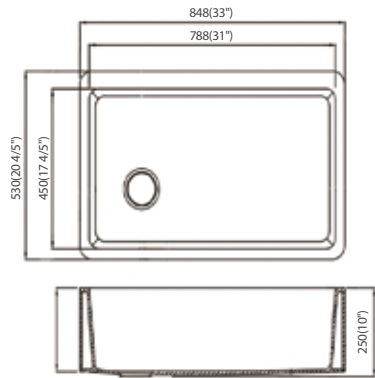
• Farmhouse series



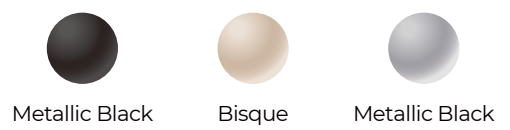
TSNSF 60-30CA  
30" x 20-4/5" x 10"



TSNSF 60-33CA  
33" x 20-4/5" x 10"



• Finishes



Sink Dishwasher

Combine kitchen sink, dishwasher, fruit and vegetable washer 3-in-1 unit with a sleek modern look.

**TECASA**  
*Stylish Kitchen Life*



- Compact Spaces
- Complete Sterilization
- Intelligent Cleaning System

• Models



TDFT 6S30  
43-7/10" x 19-7/10" x 19-7/10"



TDFD 6S20  
35-2/5" x 19-7/10" x 19-7/10"



TDFD 6S10  
34-7/10" x 19-7/10" x 20-1/2"

• Accessories



Cutting Board   Roll mat   Colander   Faucet   Garbage Disposal   Tableware Basket   Fruit & Vegetable Basket

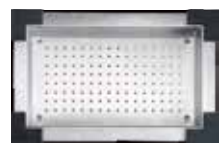




Accessories



CO-01



CO-02



CO-03



CO-04



CO-05



CO-06



CO-07



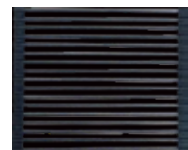
CO-08



Mini Bowl



Extension Basket



Roller Mat



Bottom Grid



Wood Fibre Chopping Board



Sapele Chopping Board



Acacia Chopping Board



Bamboo Chopping Board



Oak Chopping Board



Sapele Chopping Board With Colander



F-01



F-02



F-03



F-04(Foldable)



F-05 (Foldable)



F-06 (Foldable)



D-01



D-02



D-03



D-04



D-05



D-06



X-01



X-02



X-03



X-04



X-05



X-06

# Garbage Disposal

Compact and lightweight garbage disposer with all stainlesssteel grind components.



- Dependable Performance
- High-speed Motor
- Easy Installation

**TECASA**  
Stylish Kitchen Life

## • Appearance



TGES50N



TGES63A



TGESIXA



TGES75B

### 30 oz Capacity Grinding Chamber

- ✓ Save 20% of operation time
- ✓ Suitable for 2-4 peoples
- ✓ Beneficial for water flushing



## Technical Data

Model	TGES50N	TGES63A	TGESIXA	TGES75B
Specs	115V, 1/2HP, 60Hz	115V, 3/4HP, 60Hz	115V, 1.0HP, 60Hz	115V, 3/4HP, 60Hz
Unit Dimensions (inch)	13.43 × 5.25 × 5.67	13.50 × 6.75 × 6.75	16.14 × 8.51 × 8.51	16.75 × 8.51 × 8.51
Net Weight	8 lbs	10 lbs	14 lbs	13 lbs
Shell Material	PS	PP	PP	PP
Grinding Chamber Size	30 oz	30 oz	30 oz	30 oz
RPM	2600RPM	2700RPM	2800RPM	2700RPM
Sound Insulation	Shell	Shell	Sound Insulation foam+Shell	Sound Insulation foam+Shell
Grinding Impeller Material	Stainless steel			
Grinding Turntable Material	Stainless steel			
Grinding Ring Material	Stainless steel			
Motor	Hi-Speed PMDC motor			
Flange Adaptor Size	Φ114 × Φ90			
Sink Flange	Twist-and-Lock mount flange			
Drain Pipe	D40 elbow pipe			
Power Cord	UL standard, 18AWG, 900mm			
Max Sound Level (no load)	72			



# Instant Hot Water Dispenser

Hot water on demand, save time, space & energy in the kitchen.



- Easy to Install
- Stylish Design
- Faster, Cleaner, Smarter

**TECASA**  
Stylish Kitchen Life

### Technical Data

Model	WP100	
Rated voltage	DC24V	
Rated power	35W	
Production Rate (GPD)	100	
Filter Element	1st	PP 6~12months
	2nd	CTO 6~12months
	3rd	RO 24~36months
	4th	CB+Alkaline 6~12months
Filtration Performance	Removes up to 99% of impurities such as chlorine, taste, odor, volatile organic compounds, as well as harmful fluoride, arsenic, lead, heavy metals, and more	
Filter Element replacement	Quick-Fit filter, minimum hassle	
Pitcher	Food grade plastics (Capacity 0.48gal)	
UI Function	Filter life light reminder and filter life button reset	
Unit Dimensions (inch)	14.3 × 10.9 × 15.4	



### Technical Data

Rated Voltage	110-120V/60HZ
Rated Power	1500W
Tank Volume	2.5L / 0.66gal
Anti-shock Level	I
Hot Water Output	5.28 gal/h, >194°F
Temp Control Range	113-208°F
Temp Accuracy Range	±33.8°F
Water Flow (GPM)	Normal: >0.5
	Hot: >0.47
Max Sound Level	50dB
Net Weight (lbs)	9
Unit Dimensions (inch)	7.76 × 7.76 × 10.83
Carton Dimensions (inch)	10.24 × 10.24 × 13
Approved	  



Faucet

## RO Water Filter

Achieve carbon neutrality with Tecasa. Upgrade your kitchen with sustainable filtration.



- Tankless Design
- Reverse Osmosis System
- Fresh Spring Water

# Ceramic and Induction Hobs

Simmer enhancer for extraordinarily consistent cooking performance and residual heat indicator for each cooking zone.

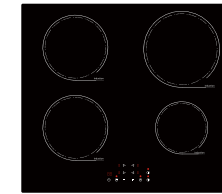
**TECASA**  
Stylish Kitchen Life



- Time Control
- Indicator Light
- Wide Adaptation



MT-C23503CM-V2



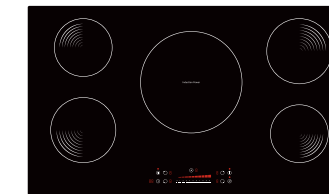
MT-C472100D-V1.5



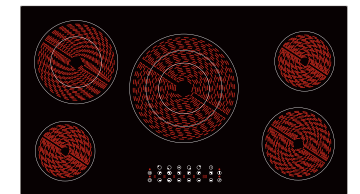
MT-C47361L8W-V1.5



MT-C510061-WW






MT-C510504



MT-T59104RT

## Technical Data

Model	MT-C23503CM-V2	MT-C472100D-V1.5	MT-C47361L8W-V1.5	MT-C510061-WW	MT-C510504	MT-T59104RT
Item Dimensions (inch)	11.3 × 20.5 × 2.3	23.2 × 20.5 × 2.3	30.3 × 20.5 × 2.3	30.3 × 20.5 × 2.3	35.4 × 20.5 × 2.3	35.4 × 20.5 × 2.1
Cutout Dimensions (inch)	10.6 × 19.7	22.2 × 19.4	29.2 × 19.4	29.2 × 19.4	34.3 × 19.4	34.3 × 19.4
Technical Specs	3500W, 220~240V/50HZ	7200W, 220~240V/50HZ	7300W, 220~240V/50HZ	10000W, 220~240V/50HZ	10000W, 220~240V/50HZ	9100W, 220~240V/50HZ
Number of Cooking Zones	2	4	5	5	5	5
Maximum Wattage (#1)	2000w	2300w	2400w	2000w	2000w	2200w
Maximum Wattage (#2)	1500w	2600w	3000w	2500w	2500w	1200w
Maximum Wattage (#3)	\	2300w	3600w	2000w	2000w	1200w
Maximum Wattage (#4)	\	1800w	3600w	2500w	2500w	1800w
Maximum Wattage (#5)	\	\	1800w	3000w	3000w	2700w
Control Type	Sensitive touch control					
Control Location	Front center					
Function	Set temp, Heating, Timer					
Digital Display	√					
Hot Surface Indicator Lights	√					
Cooking Surface Type	Smooth surface					
Appliance Color/Finish	Black					
Material/composition	Polished glass					
Approved	  					



# Air Venting Induction Hob

One-piece glass surface allows for wipe clean. No crevices that can hold residue.



- Safty Protection Functions
- Multifunctional Timer
- Easy Maintenance

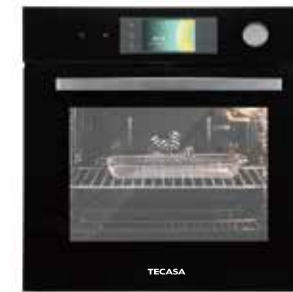
**TECASA**  
Stylish Kitchen Life

## Technical Data

Model	FEO267A-0209	FA0167A-0412
Gross Capacity	67L	67L
Max Temperature	482°F	482°F
Control	Double knob	Knob & touch switch
Functions	9	12
Total Rated Power	2700-3220W	2800-3440W
Power Voltage	220-240V~/50Hz or 60Hz	220-240V~/50Hz or 60Hz
Unit Dimensions (inch)	23.4 x 22.4 x 23.5	23.4 x 22.4 x 23.5
Built-in Dimensions (inch)	22.2 x 21.9 x 23.0	22.2 x 21.9 x 23.0
Carton Dimensions (inch)	26.0 x 25.6 x 25.6	26.0 x 25.6 x 25.6
Optional	Rotisserie-side shelf 3 Layers glass door	Rotisserie-side shelf 3 Layers glass door



FEO267A-0209



FA0167A-0412

## Built-in Electric Oven

The built-in electric ovens are equipped with rapid heat-up mode and cooling fan system which is make cooking more easier and convenient, not to mentioned the adjustable temperature design.

- Digital Timer
- User-friendly Design
- Easy to Clean

## Technical Data

Model	UD01	
Finish	Inox + Glass	
Sound Level	69dB	
Air Flow	500m <sup>3</sup> /h	
Boost Speed	630m <sup>3</sup> /h	
Optional	Optional Width (inch)	29.9
	Control	Touch control / Display
	Lighting	Halogen lamp / LED
	Filter	Carbon / Aluminum filter
	Carton Dimensions (inch)	39.8 x 20.3 x 27.2



## Glass Hood

Say goodbye to the smoke of the kitchen and enjoy the fun of cooking.



- Easy Installation
- Easier Operation
- Superior Filtration

**TECASA**  
Stylish Kitchen Life

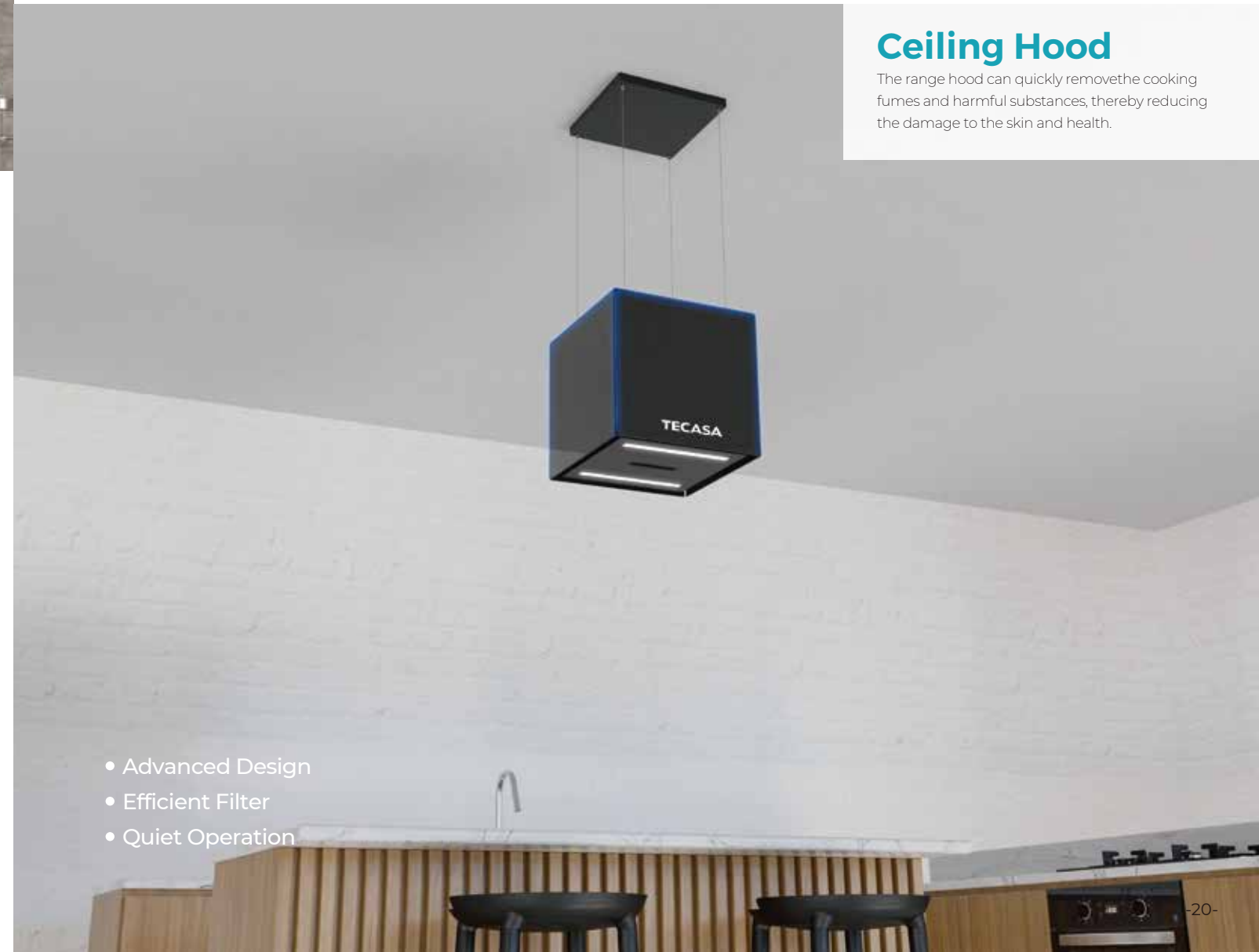
### Technical Data

Model	UI08	
Finish	Paint & Tempered glass	
Sound Level	55~60dBA	
Optional Width (inch)	16.1	
Outlet Diameter (inch)	4.7 / 5.9	
Optional	Chimney Height (inch)	19.7 / 19.7 + 15.7 / 19.7 + 19.7
	Control	Sensor + Remote control
	Lighting	LED
	Filter	Aluminum filter
	Extraction Rate (CFOM)	594 / 764 / 934 / 1104 / 1324 / 2038
	Carton Dimensions (inch)	19.3 x 19.3 x 20.5



## Ceiling Hood

The range hood can quickly remove the cooking fumes and harmful substances, thereby reducing the damage to the skin and health.



- Advanced Design
- Efficient Filter
- Quiet Operation

### Technical Data

Model	UG12	
Finish	Inox & Tempered glass	
Sound Level	55~60dBA	
Optional Width (inch)	23.6 / 27.6 / 29.9 / 35.4	
Outlet Diameter (inch)	4.7 / 5.9	
Optional	Chimney Height (inch)	19.7 / 19.7 + 15.7 / 19.7 + 19.7
	Control	Push button / Soft touch / Sensor
	Lighting	Halogen lamp / LED
	Filter	Aluminum filter / Baffle filter
	Extraction Rate (CFM)	594 / 764 / 934 / 1104 / 1324 / 2038
	Carton Dimensions (inch)	25.8 x 16.7 x 22.2 (23.6")
29.7 x 16.7 x 22.2 (27.6")		
32.1 x 16.7 x 22.2 (29.9")		
37.6 x 16.7 x 22.2 (35.4")		

