



Cambodian Summit Woodware Co.,Ltd

Add: Sihanoukville Special Economic Zone, No.4 National Road 212Km, Prey Nob District, Preah Sihanouk Province, Cambodia, 18000
Tel: +855-0969229618
E-mail: admin@summit-wood.com



Cambodian Summit Woodware Co.,Ltd.





- Factory Overview
- Four Advantages
- Advantages Compared With Vietnam Peers
- Production Management
- Product Category
- Project Case

CONTENTS





Cambodian Summit Woodware Co.,Ltd.



FACTORY OVERVIEW



INTRODUCTION

Cambodian Summit Woodware Co., Ltd. is situated within the Sihanoukville Special Economic Zone (SEZ), Preah Sihanouk Province, Cambodia. It is strategically located a mere 20 kilometers from Sihanoukville, Cambodia's largest deep-water port, and is positioned along National Road 212 KM, Number 4.

Our factory occupies an extensive area of 46,000 square meters, with an initial investment of \$15 million USD for Phase 1. We specialize in the production of American-style cabinets and bathroom cabinets, primarily targeting the markets of the United States and Canada.

\$30.0million
Total Investment



45000
Plant Size
(square meter)



30+
R&D Staff



400+
Factory
Employees



150+
Running Capacity
(containers/month)



Our factory is equipped with multiple fully automated production lines and painting facilities from Germany, Italy, and Taiwan. The high level of mechanization and the expertise of our Chinese staff, with a minimum of 15 years of experience, are the key elements supporting our ability to meet customer expectations in terms of high quality, in time delivery and competitive cost control.

Currently, our company employs more than 500 full-time workers, and it is projected to reach approximately 700 employees at full capacity, including 100 Chinese professionals in management and technical roles.

We plan to achieve a monthly production output of over 10,000 sets of cabinets and bathroom cabinets to meet different customers requirement.

Four Advantages



High Quality



Competitive Price



Short Delivery Date



Best Service

Advantages Compared With Vietnam Peers

Vietnam & Malaysia

BILLING CODE: 3510-DS-P

DEPARTMENT OF COMMERCE

INTERNATIONAL TRADE ADMINISTRATION

A-570-106; C-570-107

Wooden Cabinets and Vanities and Components Thereof from the People's Republic of China:
Initiation of Circumvention Inquiries on the Antidumping and Countervailing Duty Orders

AGENCY: Enforcement and Compliance, International Trade Administration, Department of
Commerce

SUMMARY: In response to a request from the American Kitchen Cabinet Alliance, (AKCA), a petitioner, the U.S. Department of Commerce (Commerce) is initiating **two country-wide circumvention inquiries** to determine whether: (1) U.S. imports **from Vietnam of wooden cabinets and vanities and components thereof** (wooden cabinets and vanities) from the People's Republic of China (China), which are further processed in the Socialist Republic of Vietnam (Vietnam) and include Vietnamese components, are circumventing the antidumping duty (AD) and countervailing duty (CVD) orders on wooden cabinets and vanities from China; and (2) U.S. imports from **Malaysia** of wooden cabinets and vanities and components thereof (wooden cabinets and vanities) from China, which are further processed in Malaysia and include Malaysian components, are circumventing the AD and CVD orders on wooden cabinets and vanities from China.

DATES: Applicable [Insert date of publication in the Federal Register].

FOR FURTHER INFORMATION CONTACT: Michael Romani or Richard Roberts, AD/CVD Operations, Office I, Enforcement and Compliance, International Trade Administration, U.S. Department of Commerce, 1401 Constitution Avenue, NW, Washington, DC 20230; telephone: (202) 482-0198 or (202) 482-3464, respectively.

PRODUCTION EQUIPMENT



PRODUCTION PROCESS



1.CAD Drawing



2.Wood Preparation



3.Cabinet Carcass Manufacturing workshop



4.Painting Stain Workshop



5.Package Workshop



6.On Time Delivery

Door/Drawer Front and Moulding Trim Workshop



- German Weining four-sided planer lines.
- Equipment lines of double-end tenoner machine.
- Large and heated assembly area.
- Wood seasoning rooms with numerical control screen to display the temperature, humidity, and moisture content.
- Double-end milling for 4 profile per time.
- 6 mass production lines of sanding machine.

Cabinet Carcass Manufacturing workshop



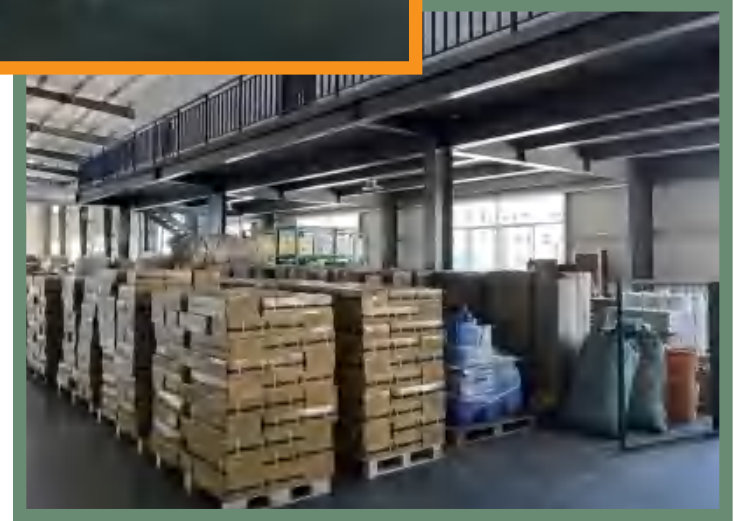
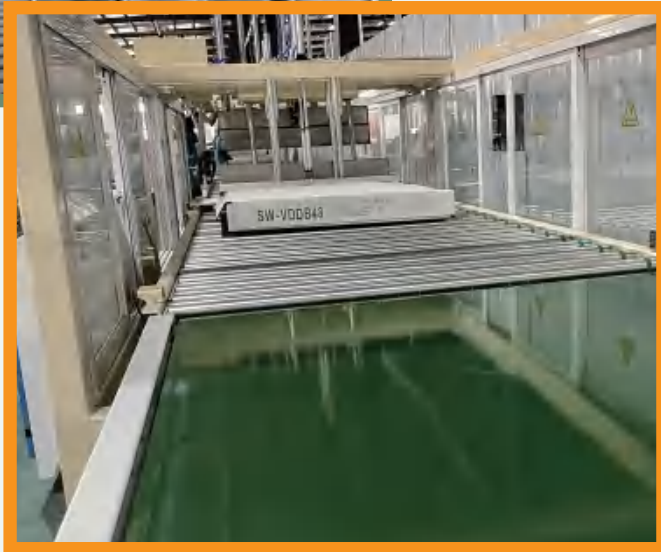
- 8 fully automatic CNC electronic cutting saw.
- Automatic feeding equipment, slotting machines, automatic steering wheels, six rows of drills, and automatic cutting equipment in one lines.
- The assemble line could finish 8 different processes in one time.
- Digital display temperature control meter is equipped.
- Full time on site Q/C check in semi-finished product inspection area.

Painting Workshop



- Auto painting hanging spray lines for primer.
- Auto reciprocating spray painting lines.
- Painting hanging lines for topcoat.
- Flat spray lines for topcoat.
- UV coating area.
- Color checking room.

Packaging Workshop



- Pre-assemble components preparation area.
- Full automatic packing assembly line.
- Hardware assembly area.
- Finished product inspection area

Kitchen Cabinets



Bathroom Vanity



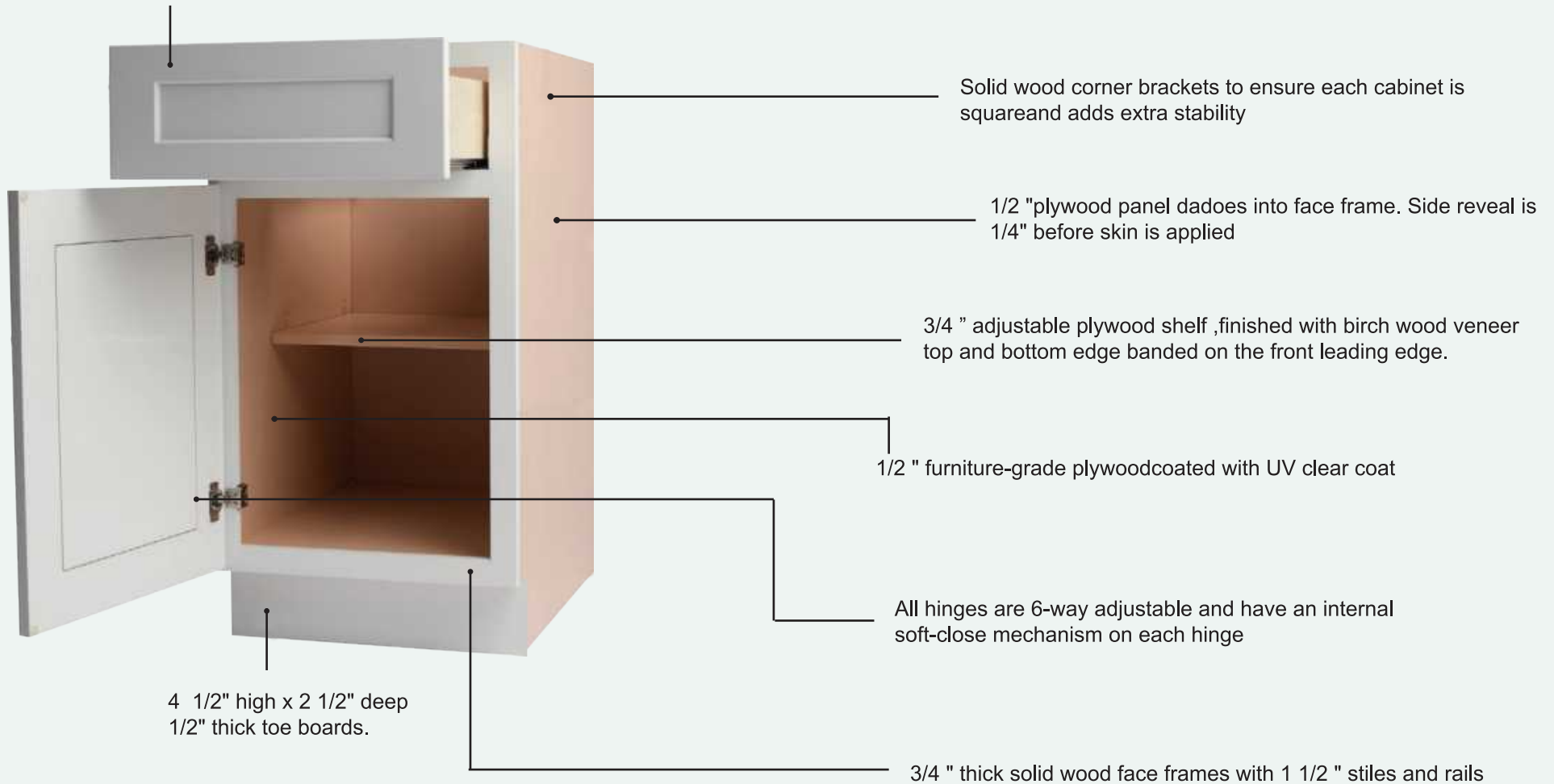
Moulding Trim



**PRODUCT
CATEGORY**

Cabinet Specification And Construction

5/8 " solid wood dovetail construction on all sides of drawer box with UV clearcoat on all exposed surfaces. Drawer glides are all steel constructed soft-close mechanisms. 3/8 " plywood drawer bottom





0611



0612



0613



0614



0615



0616



0617



0618



0619



0814



0815



0816



0817



0818



0819



0820



0821



0822



















Solidwood Door



SUM-01



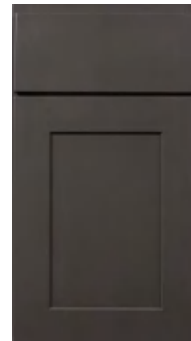
SUM-02



SUM-03



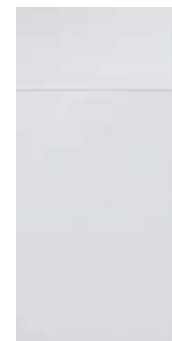
SUM-04



SUM-10



SUM-11



SUM-12



SUM-13



SUM-05



SUM-06



SUM-07



SUM-14



SUM-15



SUM-16



SUM-08



SUM-09



Laminated Doors



SUM-01



SUM-02



SUM-03



SUM-04



SUM-13



SUM-14



SUM-15



SUM-16



SUM-05



SUM-06



SUM-07



SUM-08



SUM-17



SUM-18



SUM-20



SUM-09



SUM-10



SUM-11



SUM-12



SUM-19



CABINET CONSTRUCTION OPTIONS

	STANDARD	SELECT	ALL PLYWOOD*
Hinges	6-Way adjustable hinge	NEW Quiet , 6-way adjustable Smart Stop™ self-closing hinge	NEW Quiet , 6-way adjustable Smart Stop self-closing hinge
Sides	3/8" Thick furniture board with matching laminate exterior		3/8" Thick plywood with finished veneer exterior
Back	3/8" Thick furniture board		3/8" Thick plywood
Top/Bottom	1/2" Thick furniture board top and bottom on wall cabinets. 3/8" Thick furniture board bottom on base cabinets		1/2" Thick plywood top and bottom on wall cabinets 3/8" Thick plywood bottom on base cabinets
Corners	Four furniture board corner braces on base cabinets		Two lineal plywood front-to-back stretcher rails on base cabinets
Wall/Tall Shelves	Adjustable 3/4" thick furniture board		Adjustable 3/4" thick plywood
Base Shelves	Fixed 1/2" thick half-depth furniture board, and adjustable 3/4" thick full-depth furniture board on open and full-height base cabinets		Fixed 1/2" thick half-depth plywood, and adjustable 3/4" thick full-depth plywood in open and full-height base cabinets

DRAWER CONSTRUCTION OPTIONS

	STANDARD	SELECT	ALL PLYWOOD*
Box	1/2" Thick furniture board sides, front and back	3/4" Nominal thick all wood sides, front and back with clear topcoat	
Bottom	3/8" Thick furniture board, fastened into four sides		1/4" Thick plywood, fully captured on four sides
Guides	3/4 Extension, side-mount epoxy-coated		NEW Concealed, full-extension drawer guides with Smart Stop quiet closing mechanism
Joinery	Stapled butt joint		Dovetail joint
Depth	20" on base cabinets		21" on base cabinets

*All plywood components meet ANSI/HPVA HP-1 standards, and may contain MDF or particleboard.



6-way Adjustable Hinge

fully concealed, lifetime warranty cup hinge that adjusts and self-closes



Full-Extension QuietClose Guides

Undermounted, concealed guides extend the drawer fully, complete with closing mechanism that prevents drawer from slamming.



I-Beam Braces

1/2" thick I-beam braces integrate sides, back and face frame for construction, shipping and optimal installation stability.



Captured, Dovetail Drawer

Clear-coated 3/4" nominal thick solid wood box constructed with furniture-quality dovetail joinery and fully captured, laminated bottom.

Drawer Construction

Standard Drawer Construction
3/4" all-wood sides; dovetail joinery
*Prior to processing
Drawer bottom is 1/4" with birch clear-coated plywood, fully captured in box sides, front and back.

QuietClose Guides fully concealed, nylon roller runners, self-aligning guides.
Our QuietClose premium full-extension guide provides a gentle, controlled self-closing that engages when the drawer is 2 inches from the cabinet. The drawer features smooth ball-bearing operation with a 70lb load capacity.

Valuc Deawer Option
5/8" melamine drawer box is standard on the following door styles: Batton, Carlisle Woodgrain, Cavette, Kane, Marshall, Murphy, Nelson and Newton.
Fully concealed nylon roller runners and self-aligning guides

Tandem Metal Drawer Option
Double-walled metal sides.
Melamine back and bottom.
Drawer front attaches directly to the drawer box sides, Concealed, undermounted, full-extension guides and QuietClose self-closing mechanism.



Drawing and specification

The cabinet specifications combines product information, illustrations and features all into one easy-to-use reference manual.

how to read CaBineT iteM Code



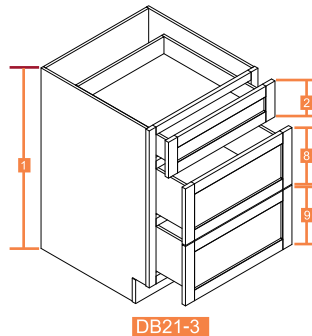
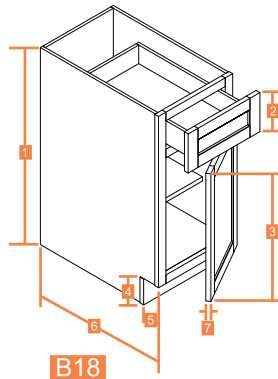
Example:



KITCHen CaBineT diMension

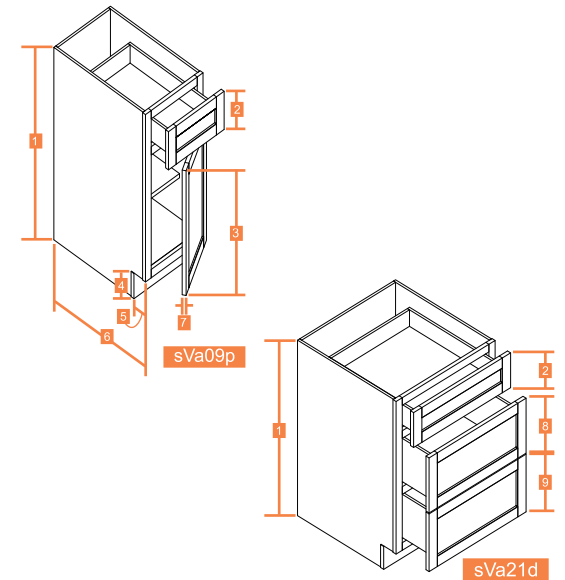
Thermofoil door style (HJPT-09)

- 1 - Standard 34-1/2"
- 2 - 6" on K10, M01, A7, K8, K3
7" on J5, CO66, S1, S8
- 3 - 23" on K10, M01, A7, K8, K3
22" on J5, CO66, S1, S8
- 4 - Standard 4-1/2"
- 5 - Standard 2-1/2"
- 6 - Standard 24" (To the face frame)
- 7 - Standard 3/4"
- 8 - 11-3/8" on K10, M01, A7, K8, K3
10-7/8" on J5, CO66, S1, S8
- 9 - 11-3/8" on K10, M01, A7, K8, K3
10-7/8" on J5, CO66, S1, S8



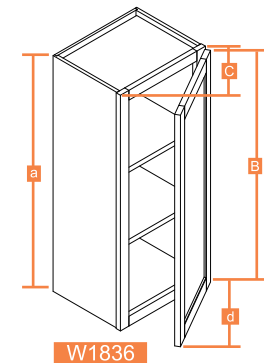
VaniTY CaBineT diMension

- 1 - Standard 33"
- 2 - 6" on K10, M01, A7, K8, K3
20" on J5, CO66, S1, S8
- 3 - 21-3/8" on K10, M01, A7, K8, K3
20" on J5, CO66, S1, S8
- 4 - Standard 4-1/2"
- 5 - Standard 2-1/2"
- 6 - Standard 21" (To the face frame)
- 7 - Standard 3/4"
- 8 - 10-5/8" on K10, M01, A7, K8, K3
10-3/16" on J5, CO66, S1, S8
- 9 - 10-5/8" on K10, M01, A7, K8, K3
10-3/16" on J5, CO66, S1, S8



Wall CaBineT diMension

- a - 36"
- b - 35-1/2" (Door dim.)
- c - 18"
- d - 17-3/4" (Door dim.)



noTe

Vanity FA#### Cabinets, 1/8" - 1/2" deviation expected.

door opening direction: flip the wall Cabinet to change the hinge side. unscrew the Base Cabinet door to switch hinge side.

