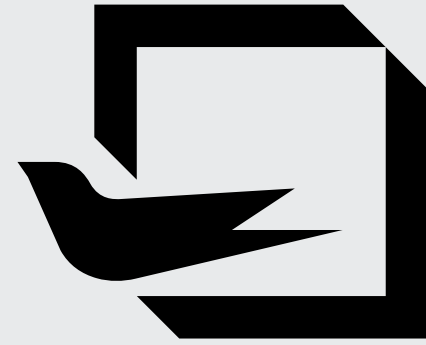


OptiHorizon



OPENING
NEW
HORIZONS

+29
years of experience

+55.000
square meters

+2.500
partners



Optimedia has been producing PVC and Aluminum joineries since 1994, amassing an impressive and modern production system. Since 2006, we have started exporting our products currently having more than 2.500 B2B partners worldwide.

OUR VISION:

To be a leader in the production of PVC and Aluminum joineries, offering support to all our partners. To achieve this, we have kept to our core principles, maintaining the quality of our products and the relationships with our partners as top priorities.

OUR MISSION:

To produce windows and doors that have certified and proven characteristics, manufactured and delivered to the highest market standards.



CORTIZO has consolidated its leading position on the aluminum market for architecture and construction profiles through massive investments that have allowed it to create a complete range of solutions for windows, facades and state-of-the-art solar protection systems.

cortizo.com



GUARDIAN GLASS is one of the largest and most innovative glass manufacturers in the world. Founded in 1932 in Detroit, Michigan, the company operates on five continents, serving more than 160 countries.

guardianglass.com

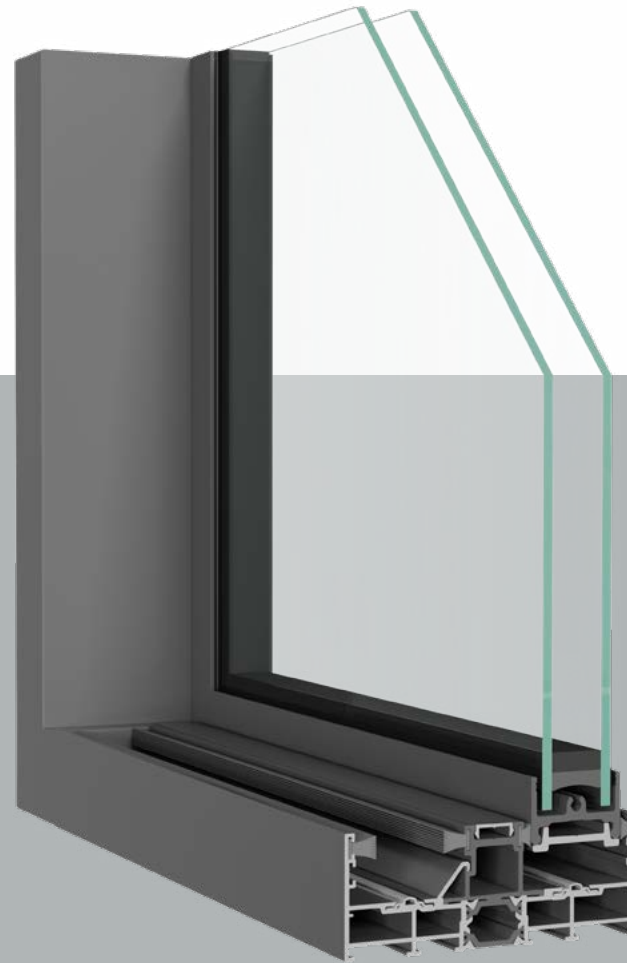


SAINT-GOBAIN GLASS is the european leader in the production of construction glass. The factory in Călărași, Romania, has the most modern float glass production line in Europe. The thermal, acoustic and security performances of SAINT-GOBAIN glazings recommends them for the most creative and original architectural solutions.

saint-gobain-glass.com

OptiHorizon

COR VISION



PRODUCT GEOMETRY

Frame depth:
116 mm 2-rail frame
182 mm 3-rail frame
Sash depth: **44 mm**

MAXIMUM INSULATING GLASS UNIT THICKNESS

28 mm

THERMAL PERFORMANCE

$U_w \geq 1,3 \text{ W/m}^2\text{K}$

ACOUSTIC INSULATION

41 dB

CERTIFICATIONS

Air resistance: **Class 4**
Water resistance: **Class 7A**
Wind resistance: **Class C5**



This sliding system with thermal barrier stands out with its avant-garde design which maximizes light and minimizes the visible aluminum surfaces. The bottom, top and side frames can be integrated into the surrounding structural elements, allowing sashes to be joined at seamless 90° corners as well as full openings to be achieved by hiding the sliding elements inside neighbouring walls. Durable and easy to maintain, the system offers flexibility in use and the possibility to replace the glass or aluminum profiles in case of damage over time.

* THE PHOTOS ARE FOR INFORMATIONAL PURPOSES ONLY.



OptiHorizon

COR VISION PLUS

PRODUCT GEOMETRY

Frame depth:
180 mm 2-rail frame
278 mm 3-rail frame
Sash depth: **57 mm**

MAXIMUM INSULATING GLASS UNIT THICKNESS

56 mm

THERMAL PERFORMANCE

$U_w \geq 0,9 \text{ W/m}^2\text{K}$

ACOUSTIC INSULATION

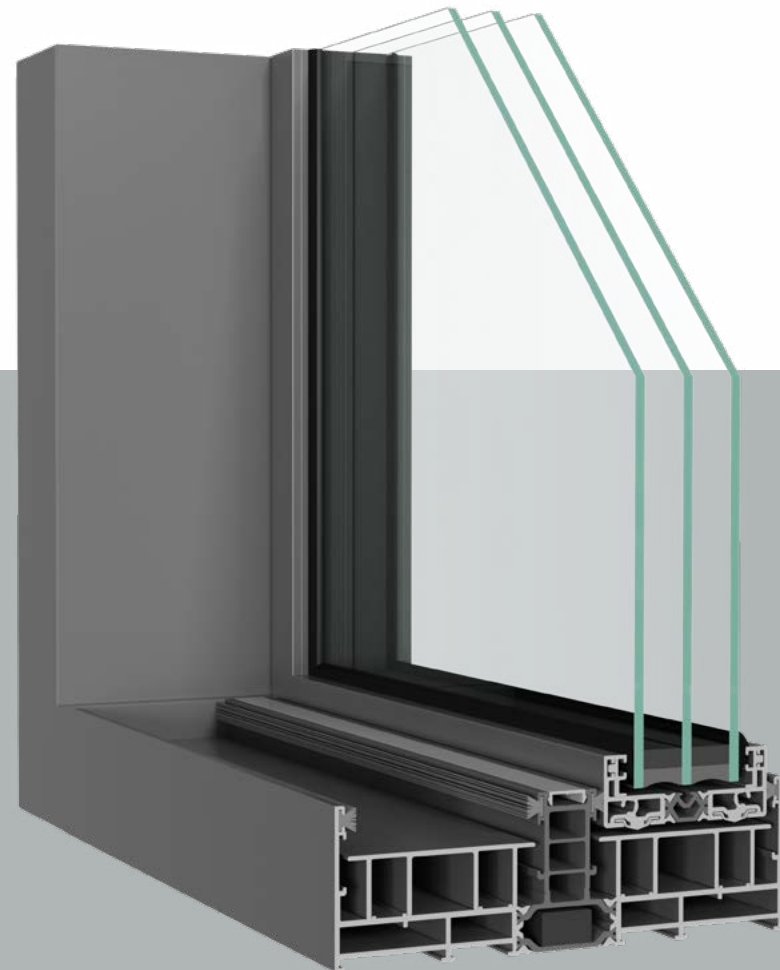
43 dB

CERTIFICATIONS

Air resistance: **Class 4**
Water resistance: **Class 9A**
Wind resistance: **Class C4**



Cor Vision PLUS is the pinnacle of minimalist sliding doors systems, providing the maximum amount of light for the largest of spaces. The 1-, 2-, 3- or even 4-sash variants can cover trully impressive areas, with the motorization option facilitating their use. The lower, upper and side frames can also be completely hidden, making openings consisting of up to 94% glass a reality. The profiles, in turn, have multi-point locks and allow for easy disassembly and reassembly in case of glass breakage or damage.



* THE PHOTOS ARE FOR INFORMATIONAL PURPOSES ONLY.

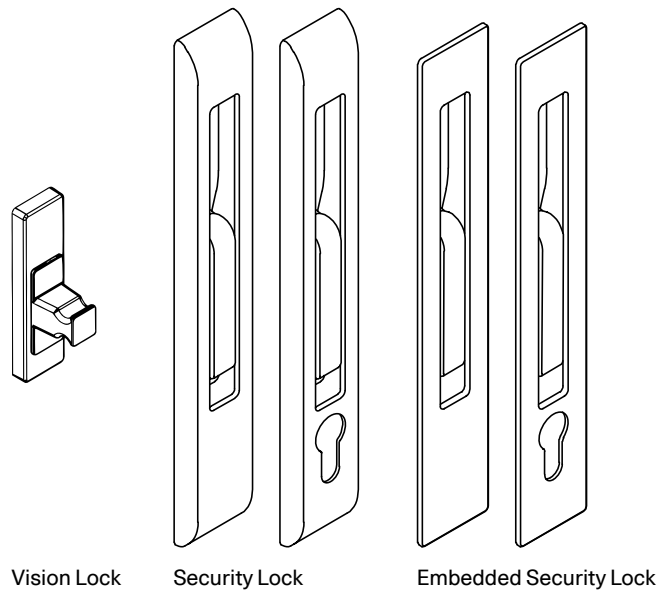




HARDWARE AND HANDLES



COR VISION HANDLES

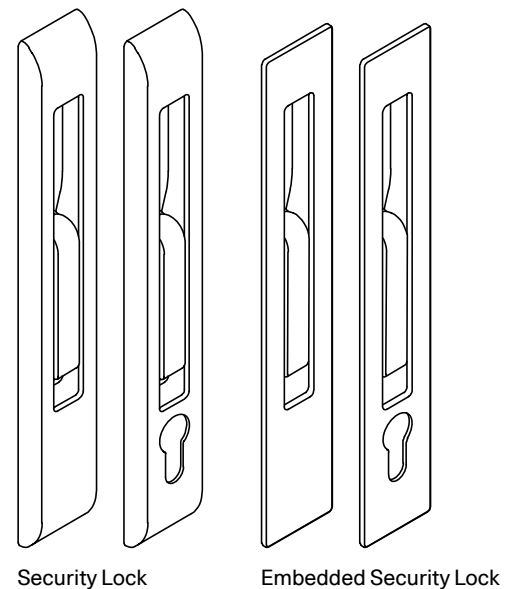


Vision Lock

Security Lock

Embedded Security Lock

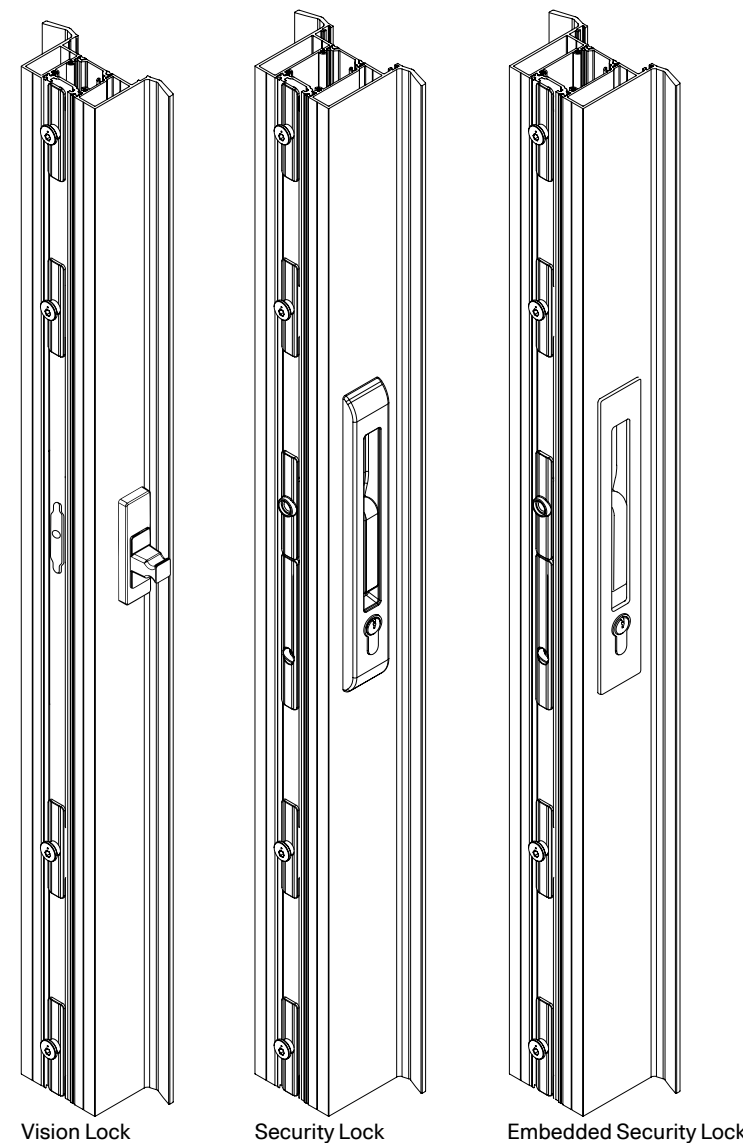
COR VISION PLUS HANDLES



Security Lock

Embedded Security Lock

Locking Mechanism Options



Vision Lock

Security Lock

Embedded Security Lock

ADVANTAGES

Minimalist design

The handles' design perfectly matches the entire system's concept, maintaining its minimalist aesthetic.

Multiple configuration options

The system comes with multiple handle options, differing both in terms of design and locking mechanism.

Easy handling of the sashes

The vertical sash reinforcement benefits the system structurally whilst also aiding in its functionality and appearance. It allows sashes to be effortlessly operated regardless of their size.

Glass



Glass represents approximately 80% of the a joinery's surface. OPTIMEDIA equips its products with SAINT GOBAIN GLASS or GUARDIAN glazings that meet the thermal, acoustic and security requirements, whilst ensuring the desired indoor ambiance. Their winter-summer comfort function maintains a pleasant interior atmosphere throughout the year, with the sheen of its coating giving the space a touch of elegance.

TECHNICAL SPECIFICATIONS

ESG tempered glass is, on average, 4 times more resistant than a standard glass to changes in temperature, strong winds and impacts. When cracked, it breaks down into small pieces without any sharp edges.

Laminated glass is composed of two or more simple glass sheets glued together with a PVB film which, in case of breakage acts as a medium to which the shards remain glued, therefore preventing possible accidents.

Tempered glass aims to protect both users against accidents and buildings against break-ins.

For design purposes or to protect you from prying eyes, Optimedia offers you a wide range of decorative glass with a large number of models, textures and colors.

Also, for added style and elegance, you can choose between georgian and astragal bars. These can be of different sizes, colors and shapes, made of PVC or Aluminum.

Tempered glass: Optimedia ESG

ESG is a type of glass that, following the tempering process, shows a considerably higher resistance to mechanical and thermal stresses compared to ordinary glass (including laminated glass). In case of breakage, ESG glass fragments into small pieces with blunt edges. Its superior mechanical properties recommend it for large glazed elements.

USES:

Architectural: all types of interior or exterior windows, doors and glass assemblies, consisting of independent or linked elements, facades, glazed roofs, stairs and even glass floors;

Urban furniture: telephone booths, public transport stations, parapets;

Interior furniture: table tops, shower cabins, shelves, furniture.

WHY ESG (TEMPERED) GLASS?



ESG glass is 50% lighter than laminated glass, thus facilitating its transport and assembly whilst at the same time extending the joinery's life by reducing the load on the hardware.



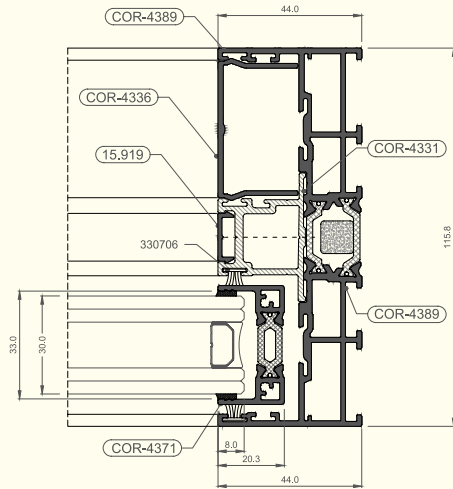
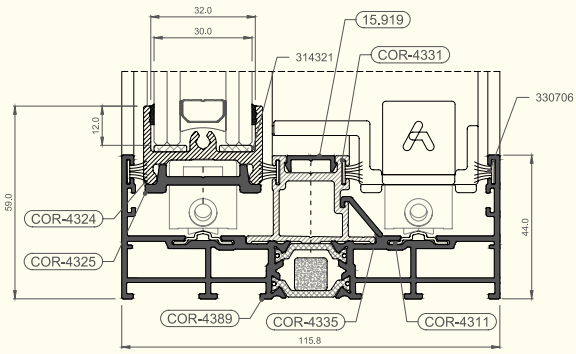
It is 5 times more resistant to tension, shocks and bending stresses compared to an ordinary or laminated glass of the same thickness.



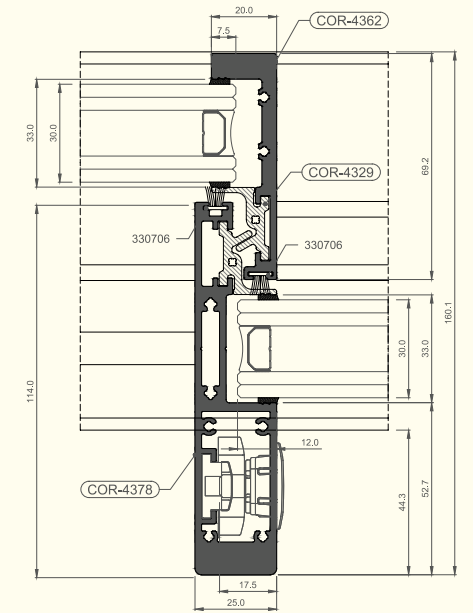
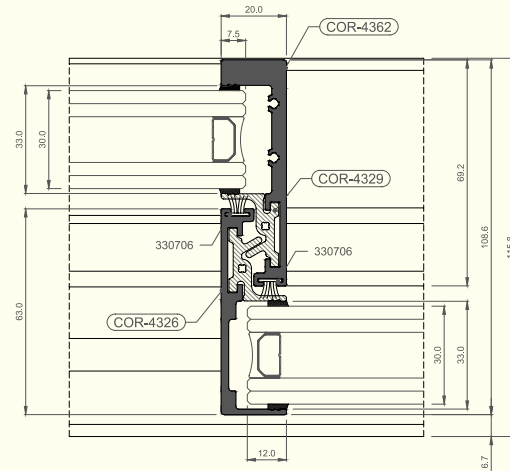
It reduces the risk of injury in case of breakage, by fragmenting into small, blunt pieces and limits the risk of break-ins.



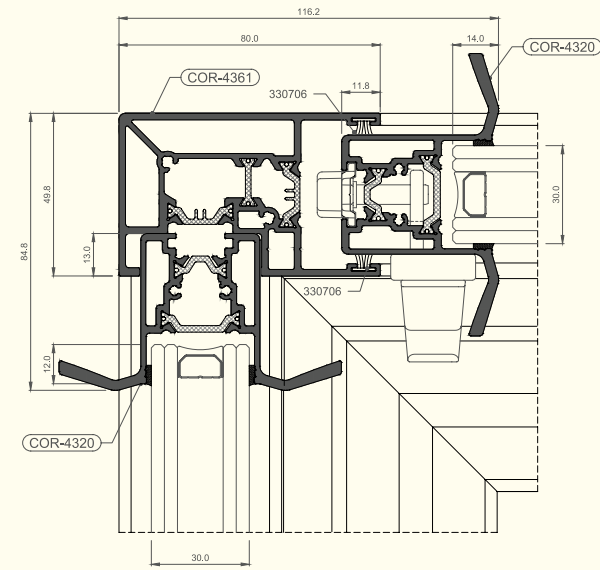
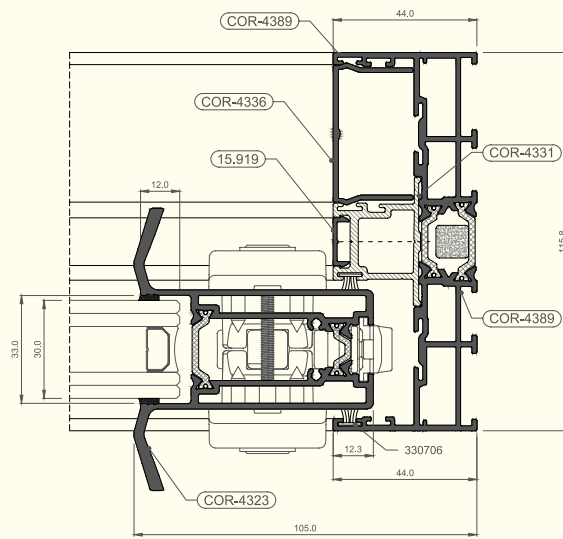
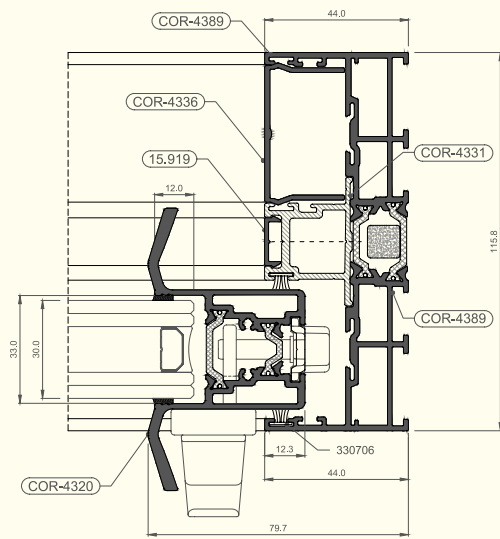
OptiHorizon COR VISION



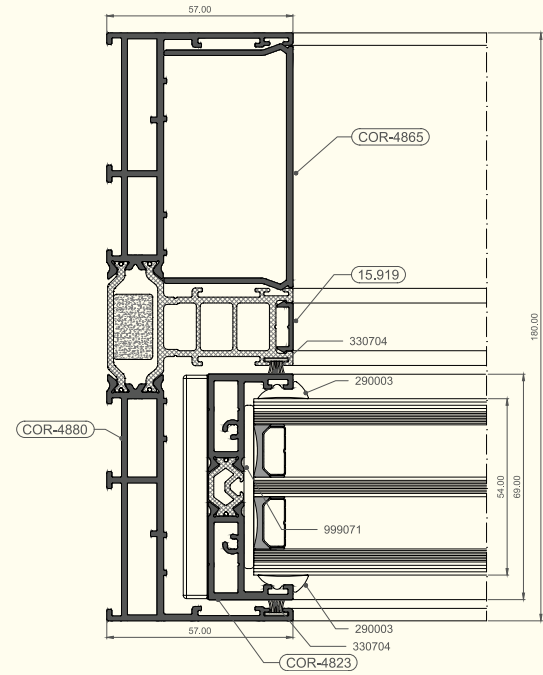
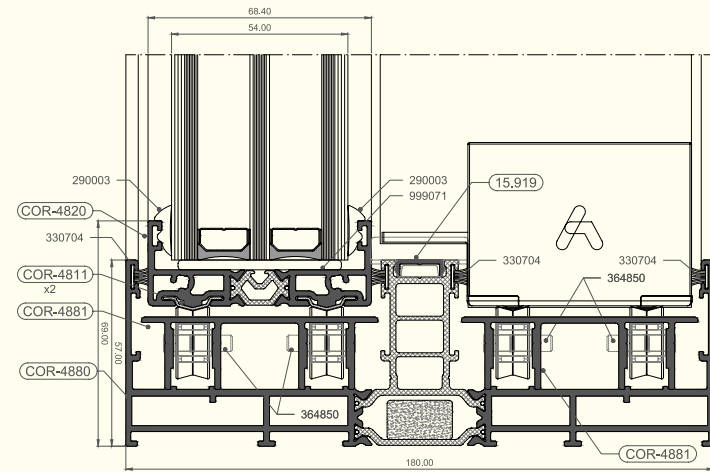
CENTRAL NODE



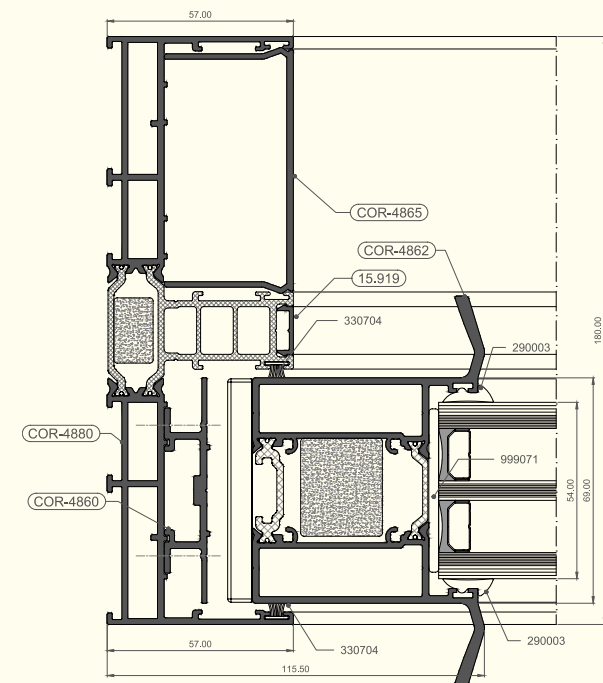
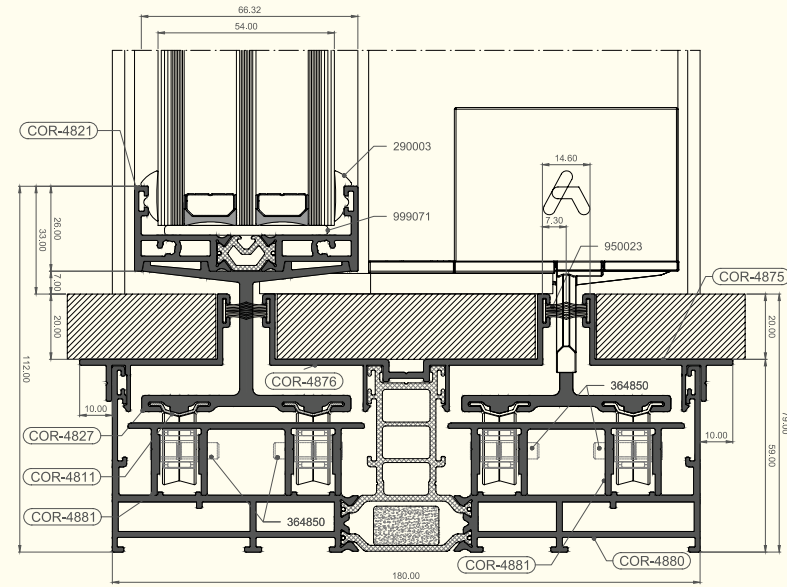
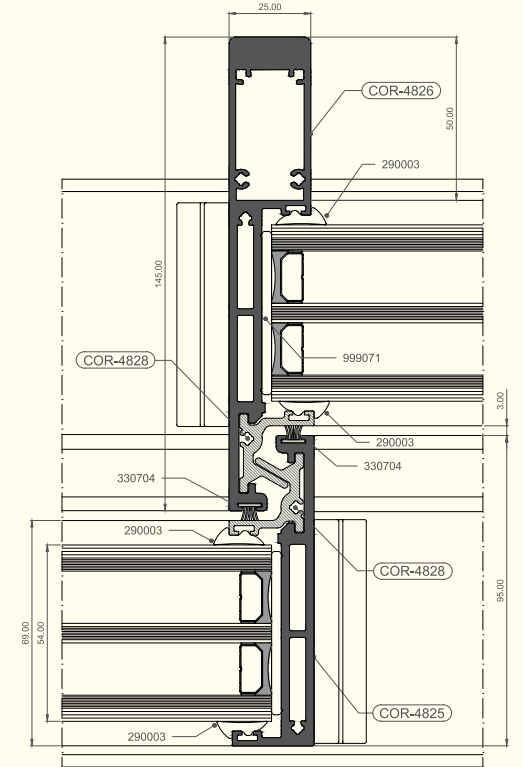
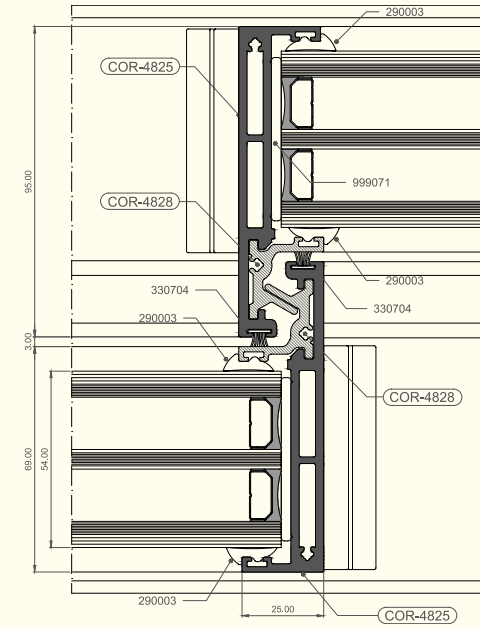
CORNER MOVING MULLION



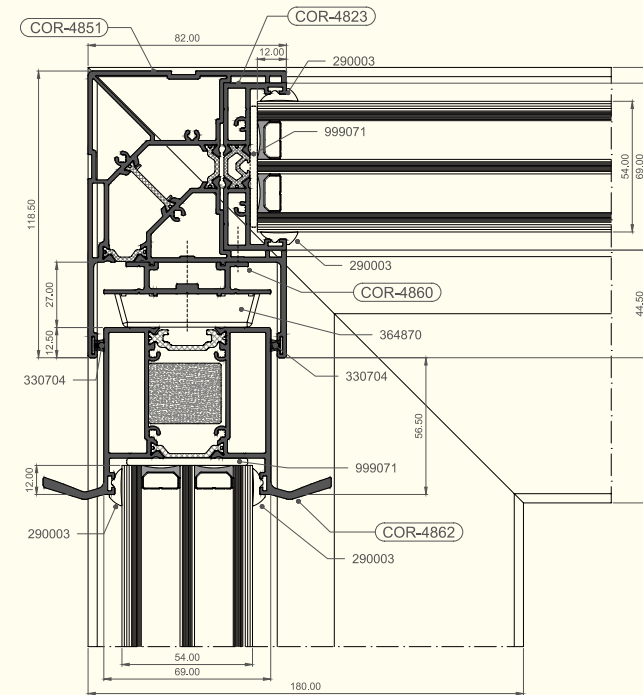
OptiHorizon COR VISION PLUS



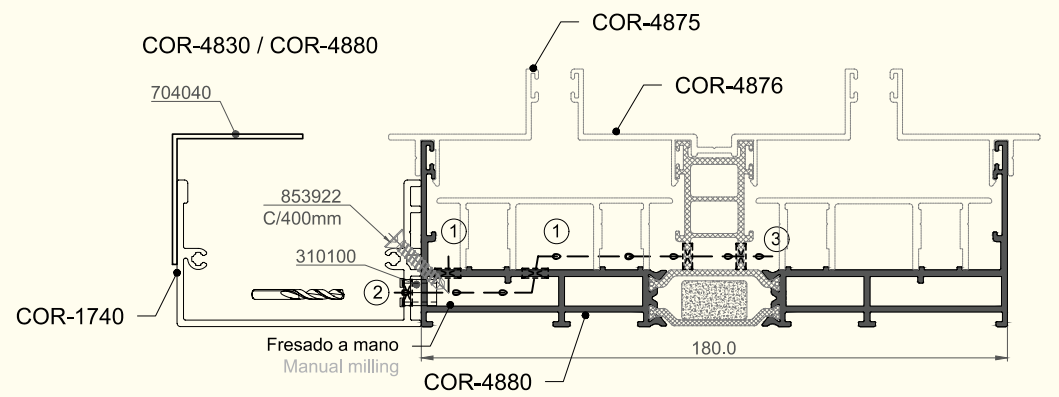
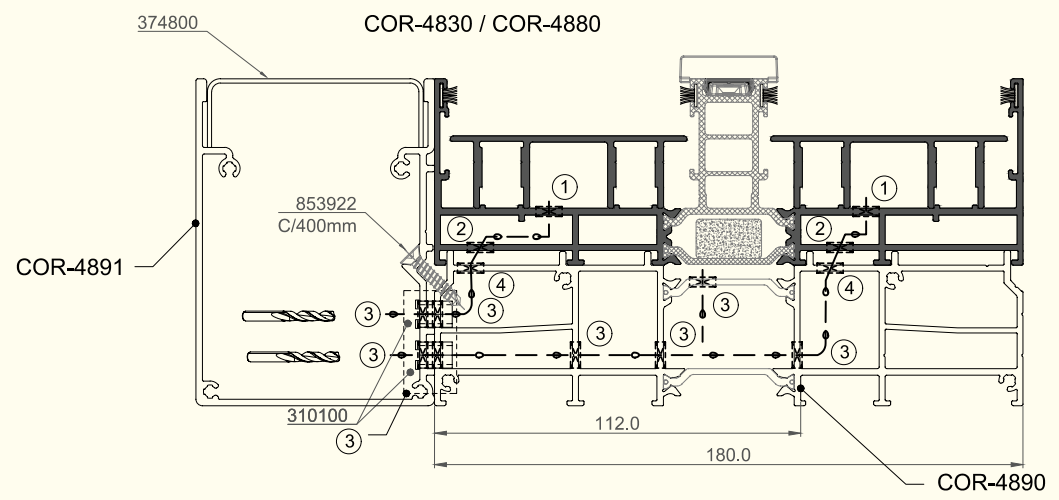
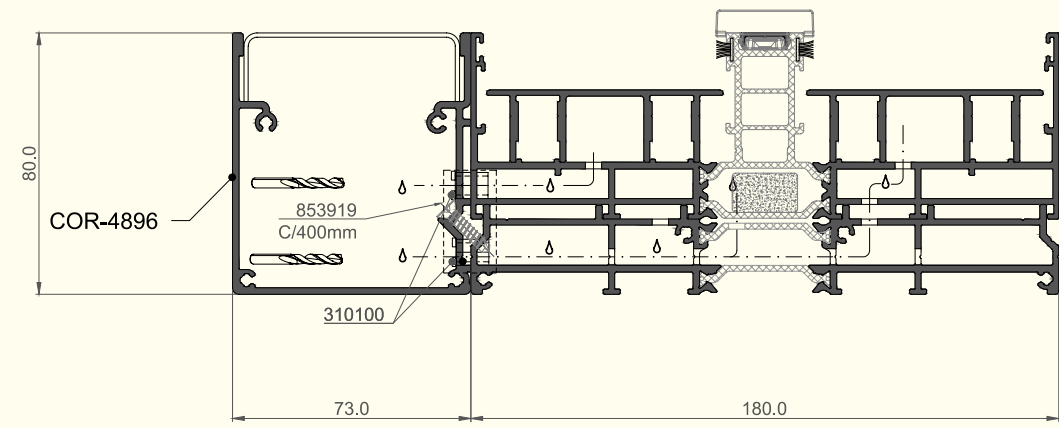
CENTRAL NODE



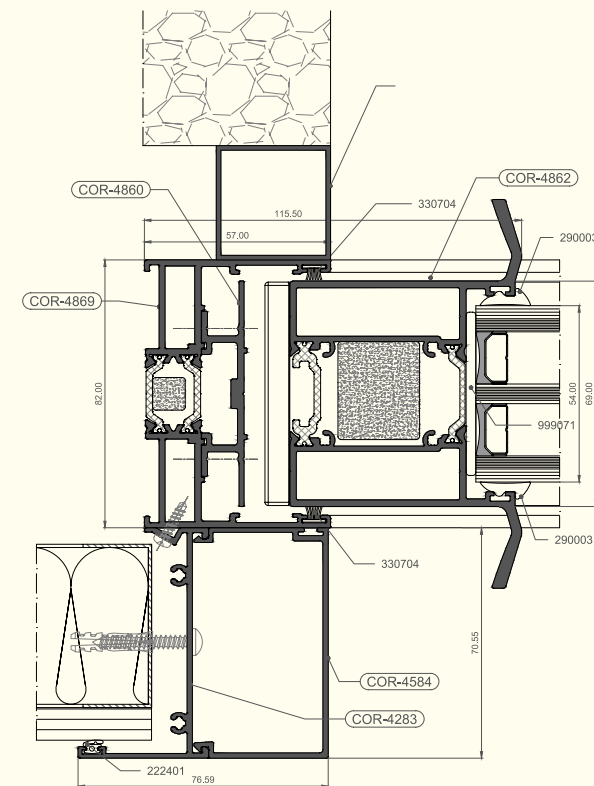
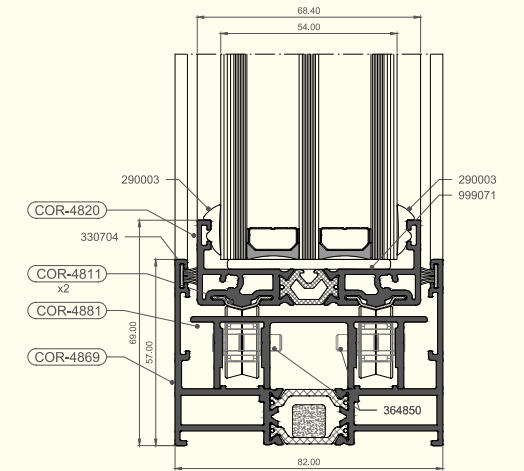
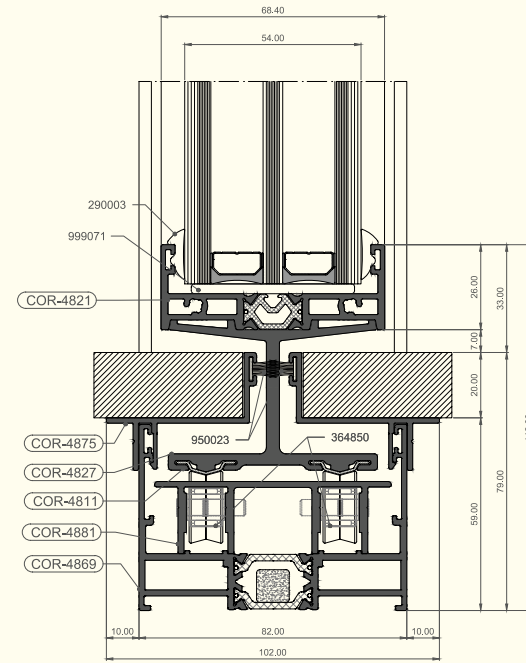
CORNER MOVING MULLION



GUTTER FOR DRAINAGE



MONO-RAIL FRAME (GALONDAGE)



Join the Optimedia team

We are constantly recruiting agents to represent Optimedia. We export to all continents and offer extensive sales support and packages so you can be an exceptional dealer in your area.



Contact

 [optimedia](#)

 [Optimedia SRL](#)

 [optimedia.eu](#)

 [optimedia.eu](#)



