



# COMPOSITE DECK SCREWS





# COMPOSITE DECK SCREW



For use with PVC, capstock & composite.



## UNDERCUT HEAD PREVENTS MUSHROOMING

Provides a clean finish into composite deck boards.

## REVERSE UPPER THREAD CLEARS AWAY EXCESS MATERIAL

## IDEAL FASTENER LENGTH

FOR USE WITH 1" AND 2" NOMINAL THICKNESS BOARDS

## T20 T-STAR DRIVE FOR POSITIVE BIT ENGAGEMENT

## TYPE 17 DOUBLE SLASH POINT

FOR FAST START AND  
PREVENTS SPLITTING

## HCR® COATING IRC/IBC CODE COMPLIANT

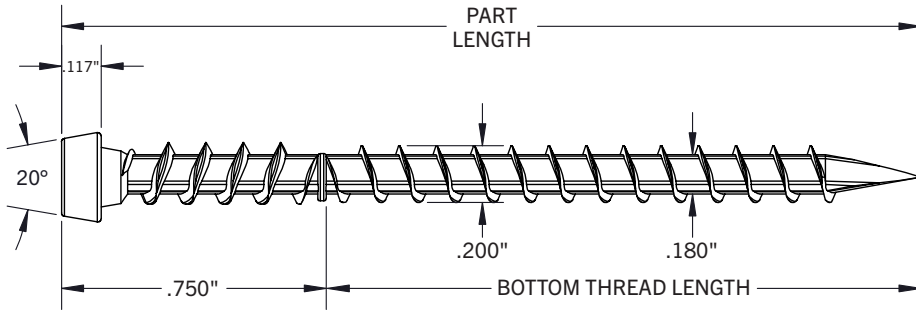
For use in treated lumber and exterior exposure condition 3 (general construction)

## TRI-LOBE SHANK PREVENTS CRACKING OR SPLITTING OF DECK BOARDS

## AVAILABLE IN 7 COMMON COMPOSITE DECK BOARD COLORS

Java Dark Brown Sand Pebble Slate Dark Gray Gray





PART LENGTH	COLOR	BOTTOM THREAD LENGTH	HEAD SIZE	DRIVE BIT	PKG. TYPE	APPROX. QTY.	MASTER QTY.	PART NO.
#10 x 2-3/4"	JAVA	2"	0.260"	T20	Retail Pax®	75	5	4121500500692
					Project Pax®	350	3	41215005006943
					Bulk Pail	1750	N/A	3121500500690
	DARK BROWN	2"	0.260"	T20	Retail Pax®	75	5	4121530500692
					Project Pax®	350	3	41215305006943
					Bulk Pail	1750	N/A	3121530500690
	SAND	2"	0.260"	T20	Retail Pax®	75	5	4121510500692
					Project Pax®	350	3	41215105006943
					Bulk Pail	1750	N/A	3121510500690
	PEBBLE	2"	0.260"	T20	Retail Pax®	75	5	4121540500692
					Project Pax®	350	3	41215405006943
					Bulk Pail	1750	N/A	3121540500690
	SLATE	2"	0.260"	T20	Retail Pax®	75	5	4121550500692
					Project Pax®	350	3	41215505006943
					Bulk Pail	1750	N/A	3121550500690
	DARK GRAY	2"	0.260"	T20	Retail Pax®	75	5	4121560500692
					Project Pax®	350	3	41215605006943
					Bulk Pail	1750	N/A	3121560500690
GRAY	2"	0.260"	T20	Retail Pax®	75	5	4121520500692	
				Project Pax®	350	3	41215205006943	
				Bulk Pail	1750	N/A	3121520500690	

Made in Taiwan



Retail Pax®



Project Pax®



Bulk Pail



# DECK SOLUTIONS CENTER PRODUCTS

## DECK BOARD SPACERS

SPAX® Deck Board Spacers are designed with ease of use in mind, ensuring uniform spaces between deck boards in four common sizes, so you're guaranteed a professional-looking finish without the hassle of nail or speed squares.

- Most common spacing dimensions in deck construction
- Spacer notch provides consistent screw alignment
- Versatile – works with wood and synthetic deck boards
- Prevents denting and marring of deck boards



## JOIST & BEAM TAPES

SPAX® Deck Joist and Beam Tape optimizes the life of the deck and ensures a long-lasting, professional installation by protecting fasteners from water damage.

- Protects deck substructure from rot and decay
- Seals fasteners, preventing moisture penetration
- Black to hide joists and drillable for ease of use
- Moisture-resistant, slip and tear resistant
- Materials warranty for a period of 10 years







HCR-X™ MULTI-MATERIAL

POWERDECK® STAINLESS STEEL

DECORATIVE HCR® POWERLAGS®

POWERTRIM® WHITE HCR®

## MORE FASTENERS FOR YOUR DECK

### HCR-X™ MULTI-MATERIAL FASTENERS

T-STAR *plus* Flat Head and Wafer Head fasteners with HCR-X™ coating are designed for use in multiple material connections often found outside residential dwellings. These “work horse” construction fasteners are designed to countersink in treated lumber for a clean-flush finish and provides a quick and easy installation.

### DECORATIVE HCR® POWERLAGS®

T-STAR Washer Head and Hex Head PowerLags® with HCR® coating are intended for wood-to-wood connections in exterior structural applications when attaching treated lumber components. Ideal for deck ledger attachment and multi-ply beam applications.

**DrJ** TER No. 1711-01  
Deck Ledger Attachment

### POWERDECK® STAINLESS STEEL FASTENERS

T-STAR *plus* Flat Head and POWERDECK® Trim Head Stainless Steel fasteners are designed for use in exterior wood connections often found outside residential domains and countersink in treated lumber for a clean-flush finish. 304 stainless steel fasteners are well suited for cedar and redwood decking materials and use in coastal environments.

### POWERTRIM® WHITE HCR® FASTENERS

T-STAR *plus* Trim Head fasteners with white HCR® coating are designed for use in both interior and exterior wood connection applications often found around residential dwellings. These finishing trim fasteners are designed to countersink for a clean-flush and near “hidden” finish.



# COLOR MATCH YOUR DECK BOARD



COLLECTION	BOARD COLOR	SPAX COLOR
ARMORGUARD	BRAZILIAN WALNUT	JAVA
ARMORGUARD	COASTAL CEDAR	SAND
ARMORGUARD	NANTUCKET GRAY	DARK GRAY
ARMORGUARD	SEASIDE GRAY	GRAY
ESCAPES	BEACH HOUSE	DARK GRAY
ESCAPES	BUNGALOW	SAND
ESCAPES	CABANA	PEBBLE
ESCAPES	TUSCAN VILLA	SAND
HORIZON	CASTLE GRAY	DARK GRAY
HORIZON	IPE	SAND
HORIZON	ROSEWOOD	JAVA
HORIZON	TUDOR BROWN	JAVA
PARAMOUNT	BROWNSTONE	SAND
PARAMOUNT	FLAGSTONE	DARK GRAY
PARAMOUNT	MINERAL	GRAY
PARAMOUNT	SANDSTONE	PEBBLE
PROMENADE	MOONLIT COVE	DARK GRAY
PROMENADE	NATURAL REEF	SAND
PROMENADE	RUSTIC DUNE	SAND
PROMENADE	SANDY PIER	DARK BROWN
PROMENADE	SHADED GRAY	GRAY
PROMENADE	WEATHERED CLIFF	DARK BROWN
SANCTUARY	CHAI	GRAY
SANCTUARY	EARL GRAY	SLATE
SANCTUARY	ESPRESSO	JAVA
SANCTUARY	LATTE	DARK BROWN
SANCTUARY	MORINGA	SAND
SYMMETRY	BURNT UMBER	JAVA
SYMMETRY	GRAPHITE	SLATE
SYMMETRY	WARM SIENNA	SAND
WEEKENDER	CABIN	SAND
WEEKENDER	COTTAGE	GRAY



COLLECTION	BOARD COLOR	SPAX COLOR
ENHANCE	BEACH DUNE	SAND
ENHANCE	CLAM SHELL	SLATE
ENHANCE	COASTAL BLUFF	DARK BROWN
ENHANCE	FOGGY WARF	GRAY
ENHANCE	ROCKY HARBOR	PEBBLE
ENHANCE	SADDLE	SAND
ENHANCE	TOASTED SAND	SAND
SELECT	MADEIRA	JAVA
SELECT	PEBBLE GRAY	GRAY
SELECT	SADDLE	SAND
SELECT	WINCHESTER GRAY	SLATE
SELECT	WOODLAND BROWN	JAVA
TRANSCEND	GRAVEL PATH	PEBBLE
TRANSCEND	HAVANA GOLD	SAND
TRANSCEND	ISLAND MIST	GRAY
TRANSCEND	LAVA ROCK	JAVA
TRANSCEND	ROPE SWING	PEBBLE
TRANSCEND	SPICED RUM	JAVA
TRANSCEND	TIKKI TORCH	SAND
TRANSCEND	VINTAGE LATERN	JAVA



COLLECTION	BOARD COLOR	SPAX COLOR
VERANDA*	BROWN	SAND
VERANDA*	GRAY	PEBBLE



COLLECTION	BOARD COLOR	SPAX COLOR
HARDWOODS	BRAZILIAN CHERRY	SAND
HARDWOODS	GARAPA GRAY	GRAY
HARDWOODS	GOLDEN TEAK	SAND
HARDWOODS	TROPICAL WALNUT	DARK BROWN
LANDSCAPES	COASTAL GRAY	GRAY
LANDSCAPES	MOCHA	JAVA
LANDSCAPES	SLATE	DARK GRAY



COLLECTION	BOARD COLOR	SPAX COLOR
DEKK LT	RIVER STONE	GRAY
DEKK LT	TANNED LEATHER	SAND
DEKK LT	TREE BARK	DARK BROWN
OPTIMA	BLACK WALNUT	DARK BROWN
OPTIMA	BOARDWALK GRAY	SLATE
OPTIMA	DARK MAHOGANY	JAVA
OPTIMA	SEDONA RED	JAVA
OPTIMA	WARM CEDAR	SAND



**CAN'T FIND YOUR BOARD COLOR?**  
Scan the QR code for more information.



COLLECTION	BOARD COLOR	SPAX COLOR
DISTRESSED	CHERRYWOOD	JAVA
FRONTIER	SUMMIT	GRAY
FRONTIER	WOODLAND	JAVA
PICTURE FRAME BOARD	DARK SLATE	SLATE
TRAILHEAD	CANYON	JAVA
TRAILHEAD	PATHWAY	DARK BROWN
TRAILHEAD	RIDGELINE	DARK GRAY
VAULT	DUSK	DARK GRAY
VAULT	MESQUITE	DARK BROWN
VISTA	DRIFTWOOD	DARK GRAY
VISTA	DUNEWOOD	SAND
VISTA	IRONWOOD	DARK BROWN
VISTA	SILVERWOOD	DARK GRAY
VOYAGE	COSTA	PEBBLE
VOYAGE	KHAYA	DARK BROWN
VOYAGE	MESA	SAND
VOYAGE	SIERRA	GRAY
VOYAGE	TUNDRA	PEBBLE



COLLECTION	BOARD COLOR	SPAX COLOR
HARVEST	BROWNSTONE	PEBBLE
HARVEST	KONA	JAVA
HARVEST	SLATE GRAY	PEBBLE
LEGACY	ASHWOOD	GRAY
LEGACY	MOCHA	JAVA
LEGACY	PECAN	SAND
LEGACY	WHITWASH CEDAR	PEBBLE
PREMIER	DARK TEAK	SAND
PREMIER	MARITIME GRAY	DARK GRAY
PRIME	COCONUT HUSK	SAND
PRIME	SEA SALT GRAY	GRAY
PRO	DARK ROAST	SAND
PRO	ESPRESSO	DARK BROWN
TERRAIN	BROWN OAK	SAND
TERRAIN	RUSTIC ELM	JAVA
TERRAIN	SILVER MAPLE	GRAY
TERRAIN	STONE ASH	DARK GRAY
VINTAGE COLLECTION	DARK HICKORY	DARK BROWN
VINTAGE COLLECTION	ENGLISH WALNUT	SAND

**TROPICS™**

COLLECTION	BOARD COLOR	SPAX COLOR
TROPICS™	HANA BROWN	DARK BROWN
TROPICS™	TIDAL GRAY	DARK GRAY

**UltraDeck®**

COLLECTION	BOARD COLOR	SPAX COLOR
FUSION	COASTAL CEDAR	SAND
FUSION	DRIFTWOOD GRAY	GRAY
FUSION	ROSEWOOD	JAVA
FUSION	WALNUT	DARK BROWN
INSPIRE	CANYON	GRAY
INSPIRE	FIELDSTONE	GRAY
INSPIRE	SANDSTONE	PEBBLE
INSPIRE	SPANISH CEDAR	SAND
QUICKCAP	CEDAR	SAND
QUICKCAP	GRAY	GRAY
RUSTIC	CEDAR	SAND
RUSTIC	GRAY	GRAY
RUSTIC	HICKORY	DARK BROWN
RUSTIC	REDWOOD	JAVA
TRIUMPH	PECAN	SAND
TRIUMPH	SLATE	SLATE



COLLECTION	BOARD COLOR	SPAX COLOR
ELEVATE	ALPINE GRAY	DARK GRAY
ELEVATE	CANOE	SAND
ELEVATE	RIVERBANK	DARK BROWN
VANTAGE	BRIDLE	SAND
VANTAGE	CAPE COD GRAY	DARK BROWN
VANTAGE	EARTHTONE	PEBBLE
VANTAGE	SEASONED MAHOGANY	JAVA
VANTAGE	WALNUT	SAND
VISION	CATHEDRAL STONE	GRAY
VISION	COLD BREW	DARK BROWN
VISION	MOCHACCINO	PEBBLE
VISION	SANDSTONE	PEBBLE
VISION	SPANISH LEATHER	JAVA





CONNECT WITH US!



**ALTENLOH, BRINCK & CO. US, INC.**

2105 COUNTY ROAD 12C • BRYAN OH 43506 • [www.spax.us](http://www.spax.us)

Phone: 888-ABC-SPAX • Email: [sales@spax.us](mailto:sales@spax.us)

S-2209 Rev 12/22